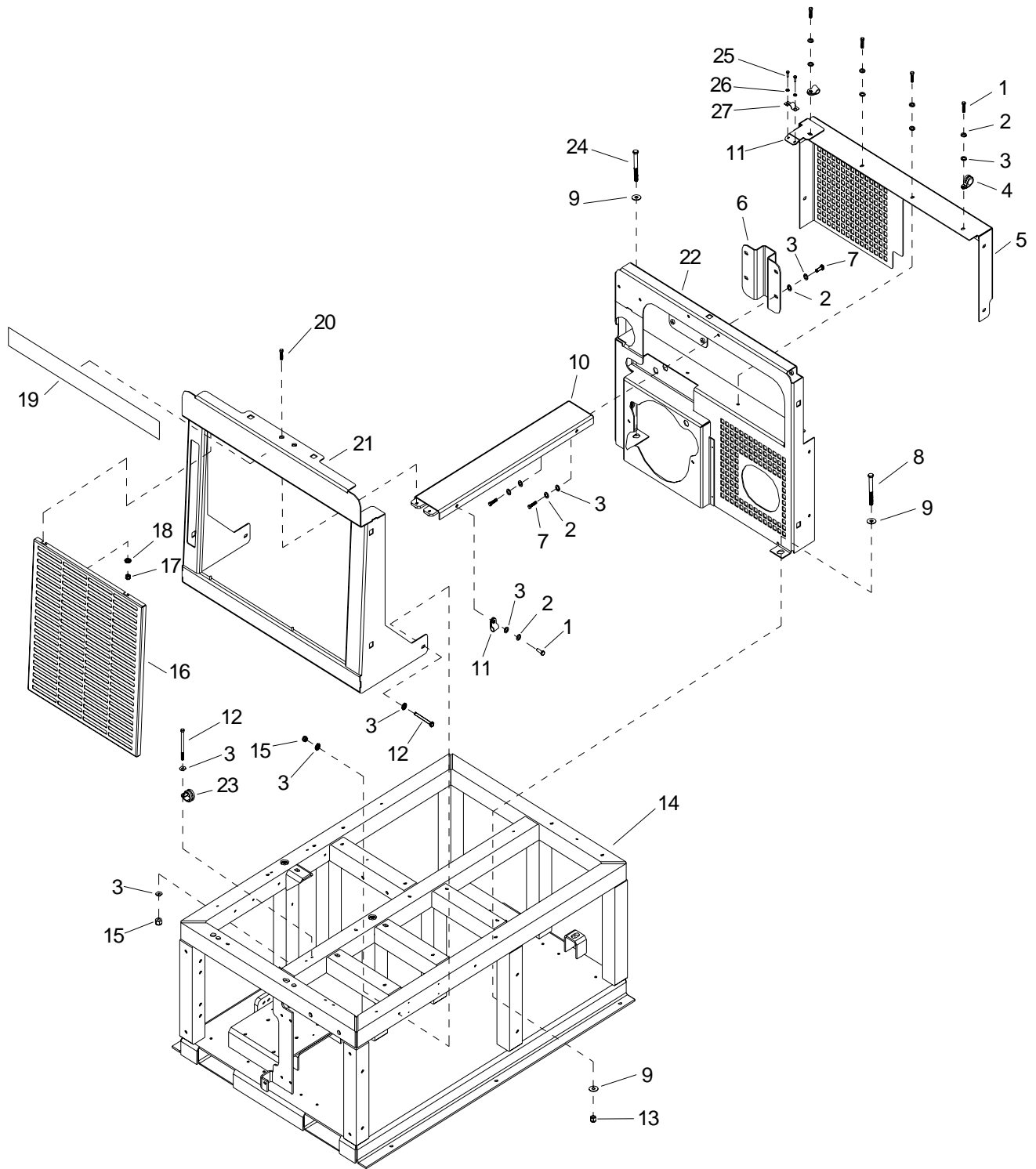


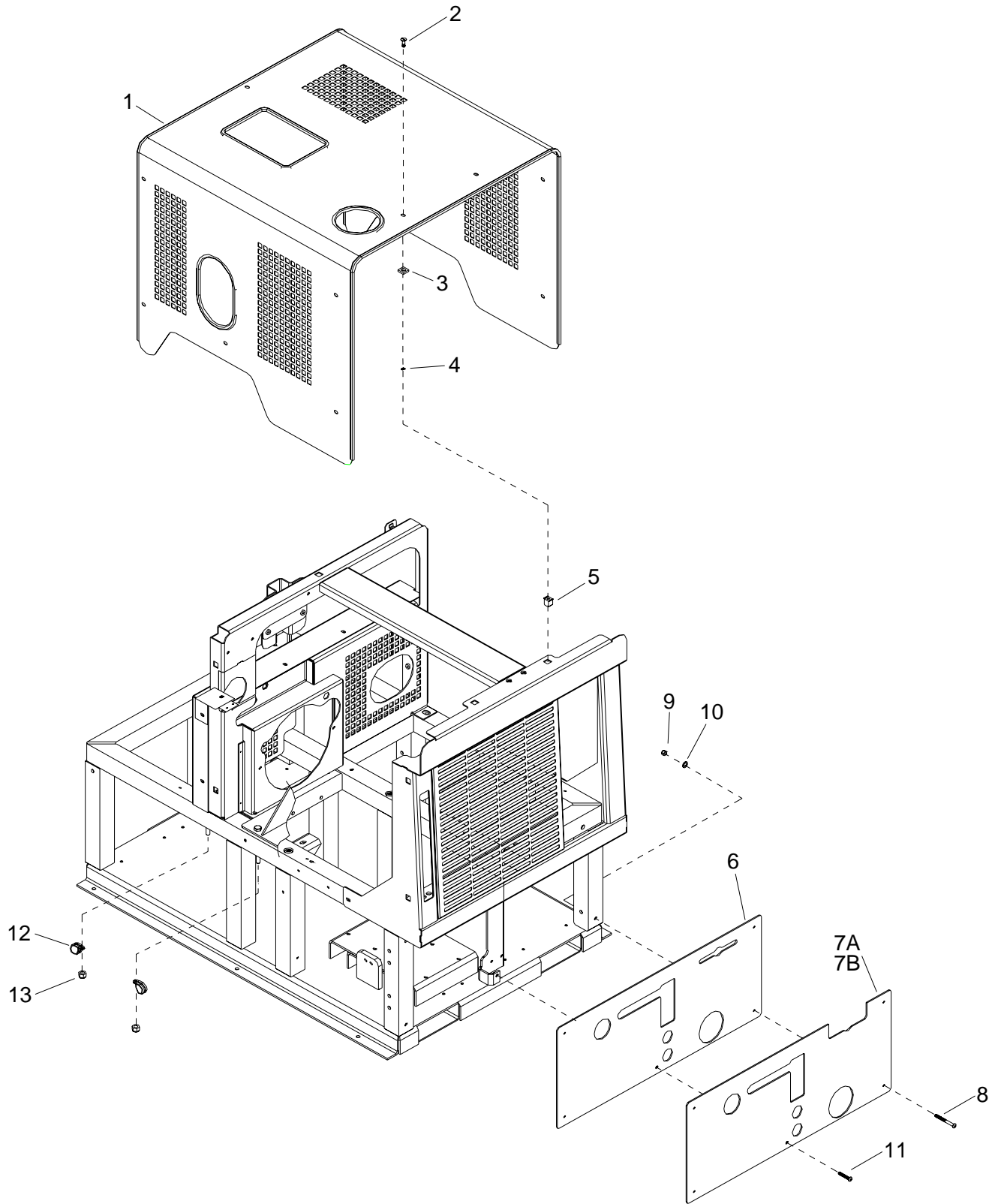
FRAME



FRAME

REF	PART NO.	QTY	DESCRIPTION	SERIAL NO. FROM	NOTES:
1	00-000078	10	SCR, 1/4-20 X 1" HXHD GRD8		
2	87162	16	WASHER, 1/4 SPLIT LOCK PLTD		
3	02-000066	22	FLATWASHER, 1/4		
4	03-000261	1	CLAMP, CABLE 1/2 I.D. 1/4 BLT		
5	790010	1	PNL, BELT GUARD, REAR		
6	790950	1	PLT, AIR FILTER		
7	70270	6	SCR, 1/4-20 X 3/4 HHCS PLTD		
8	70069	2	SCR, 3/8-16 X 3 HHCS GR5		
9	87171	4	WASHER, 3/8 FLAT		
10	790952	1	BRKT, CENTER HOOD		
11	791100	1	BRKT, THROTTLE MTG		DIESEL ONLY
12	00-000286	3	SCR, CAP 1/4-20 X 2.75 HXHD		
13	57119	2	NUT, 3/8-16 HEX NYLOCK		
14	790793	1	ASSY, FRAME		
15	57047	3	NUT, 1/4-20 HEX NYLOCK		
16	790927	1	PNL, GRILLE		
17	57090	4	NUT, 10-32 HEX NYLOCK SS		
18	87139	4	WASHER, 3/16 FLAT		
19	500886	1	LABEL, MAIN, APEX-D		
20	00-000216	2	SCR, CAP 1/4-20 X 1/2 FLTSD		
21	790947	1	ASSY, FRONT HOOD		
22	790907	1	ASSY, REAR EN/HOOD MTG		
23	81270	1	CLAMP, 3/4 DIA CUSHION .406DIA		
24	70461	1	SCR, 3/8-16 X 3.5 HHTB GR5 PLTD		
25	791119	2	SCR, 10-24 X 3/8 SHCS PLATED		DIESEL ONLY
26	87165	2	WASHER, #10 SPLIT LOCK PLTD		DIESEL ONLY
27	791118	1	CLAMP, THROTTLE CABLE		DIESEL ONLY

FRAME

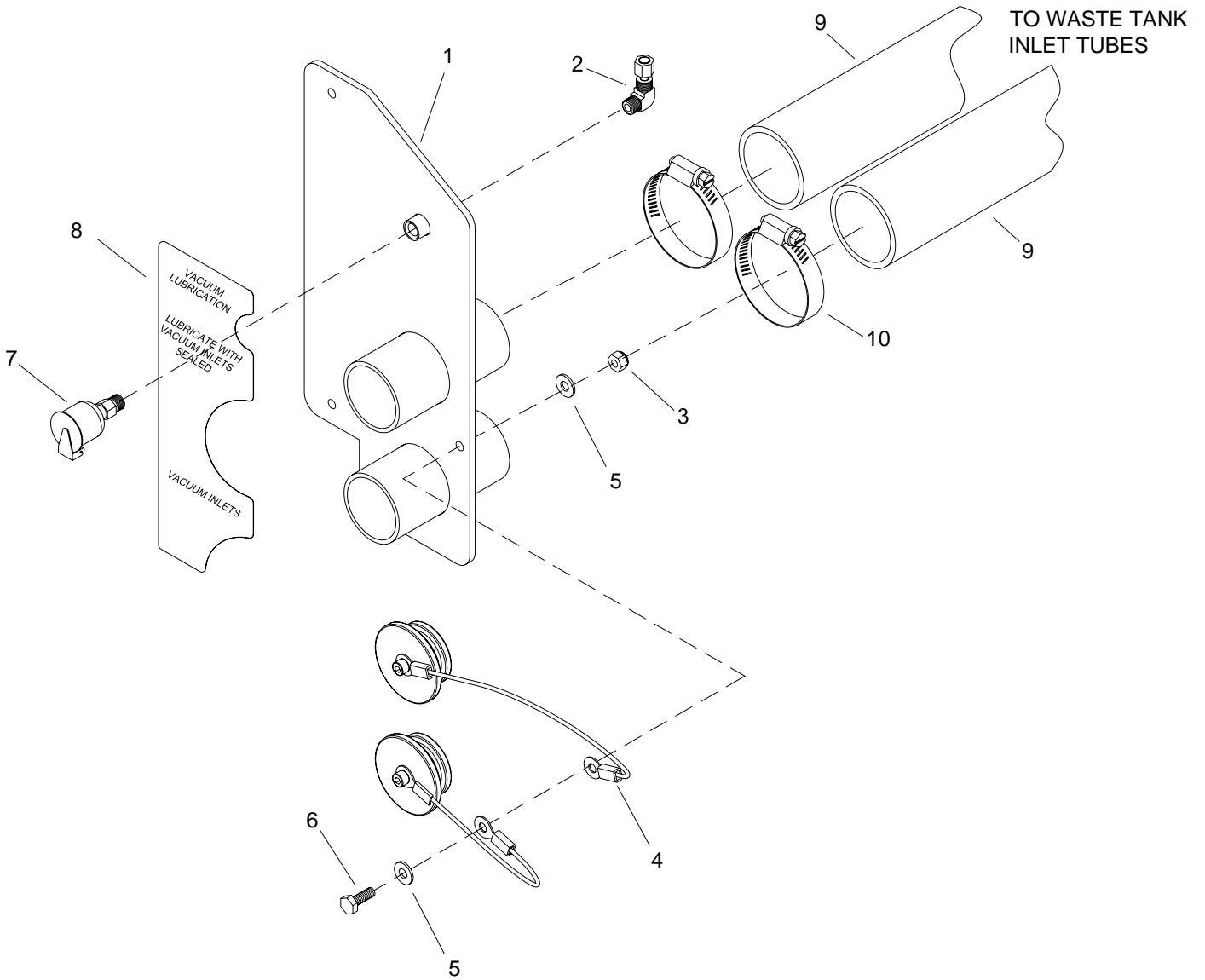


FRAME

REF	PART NO.	QTY	DESCRIPTION	SERIAL NO. FROM	NOTES:
1	790970	1	ASSY, HOOD, APEX		
2	00-000272	13	STUD, 1/4 TURN FAST #85 OV		
3	58-700023	13	PAD, 1/4 TURN VIBR		
4	02-000268	13	SPLITRING, RETAIN, 1/4 TURN		
5	01-000259	13	RECEPT, SNAPIN 1/4 TURNFAST		
6	790957	1	PNL, LOWER FRONT		
7A	791103	1	DEC, LWR FR PNL, APEX D		
7B	790958	1	DEC, LWR FR PNL, APEX		
8	790465	4	SCR, 1/4-20 X 2.75 BHCS BLK		
9	57047	4	NUT, 1/4-20 HEX NYLOCK		
10	02-000066	4	FLATWASHER, 1/4		
11	70481	1	SCR, 1/4-20 X 3/4 BHCS BLK		
12	81270	2	CLAMP, 3/4 DIA CUSHION .460DIA		
13	57119	2	NUT, 3/8-16 HEX NYLOCK		

SIDE PANEL, RIGHT

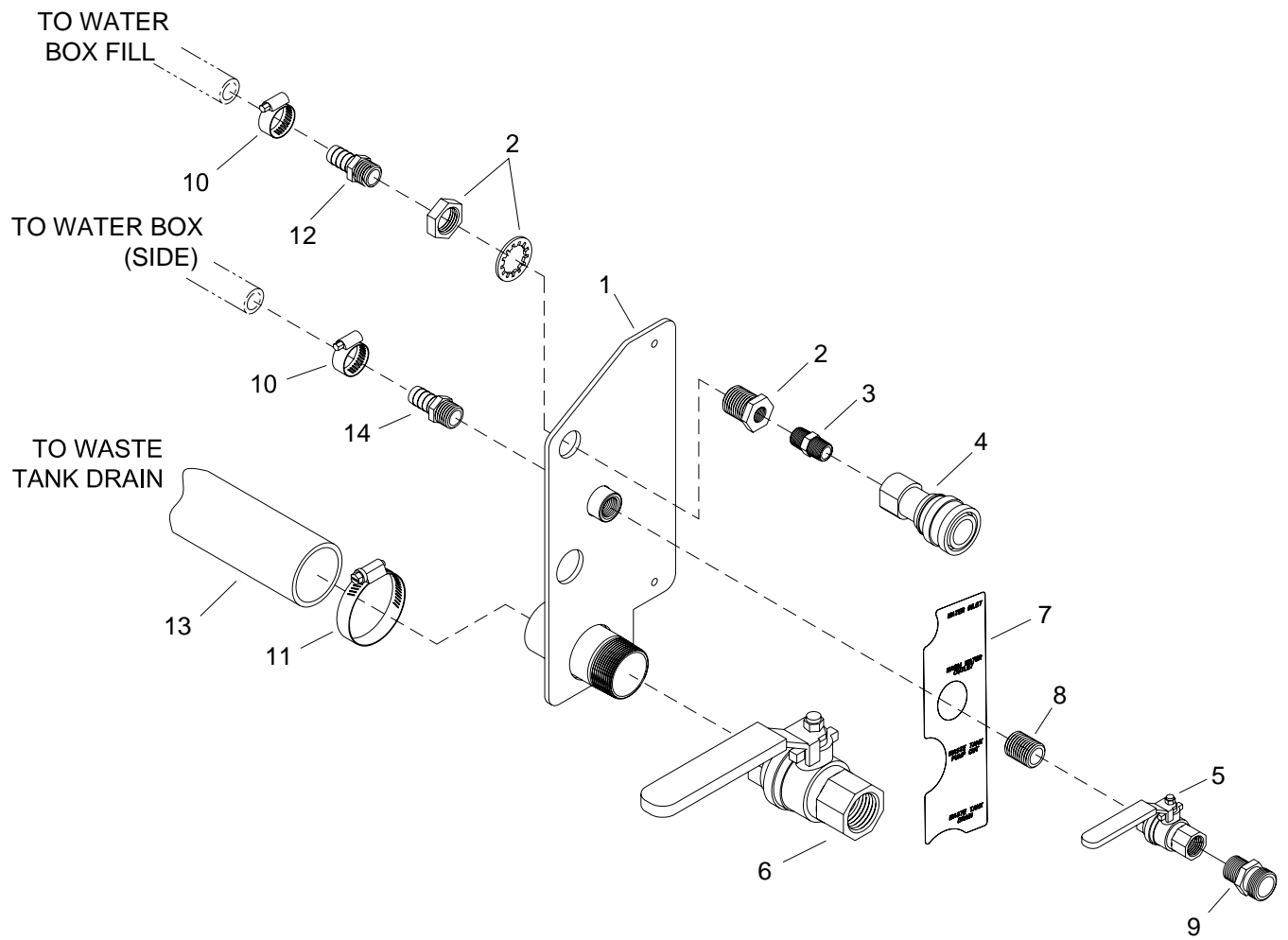
TO VACUUM RELIEF VALVE



SIDE PANEL, RIGHT

REF	PART NO.	QTY	DESCRIPTION	SERIAL NO. FROM	NOTES:
1	790430	1	BRKT, VAC INLET		
2	12-800099	1	ELL, 1/8P X 1/4 POLY BR		
3	57047	1	NUT, 1/4-20 HEX NYLOCK		
4	66-945236	2	KIT, VAC INL PLG		
5	02-000066	2	FLATWASHER, 1/4		
6	00-000078	1	SCR, 1/4-20 X 1" HXHD GRD8		
7	19-800075	1	CUP, OIL FILL 1/8P		
8	500694	1	LABEL, VAC/WTR INLET		
9	09-805380	2	HOSE, INT VAC 2.0 X 60.0 BLK		
10	03-000054	2	CLMP, HOSE #32 1.5625/2.5 SST		

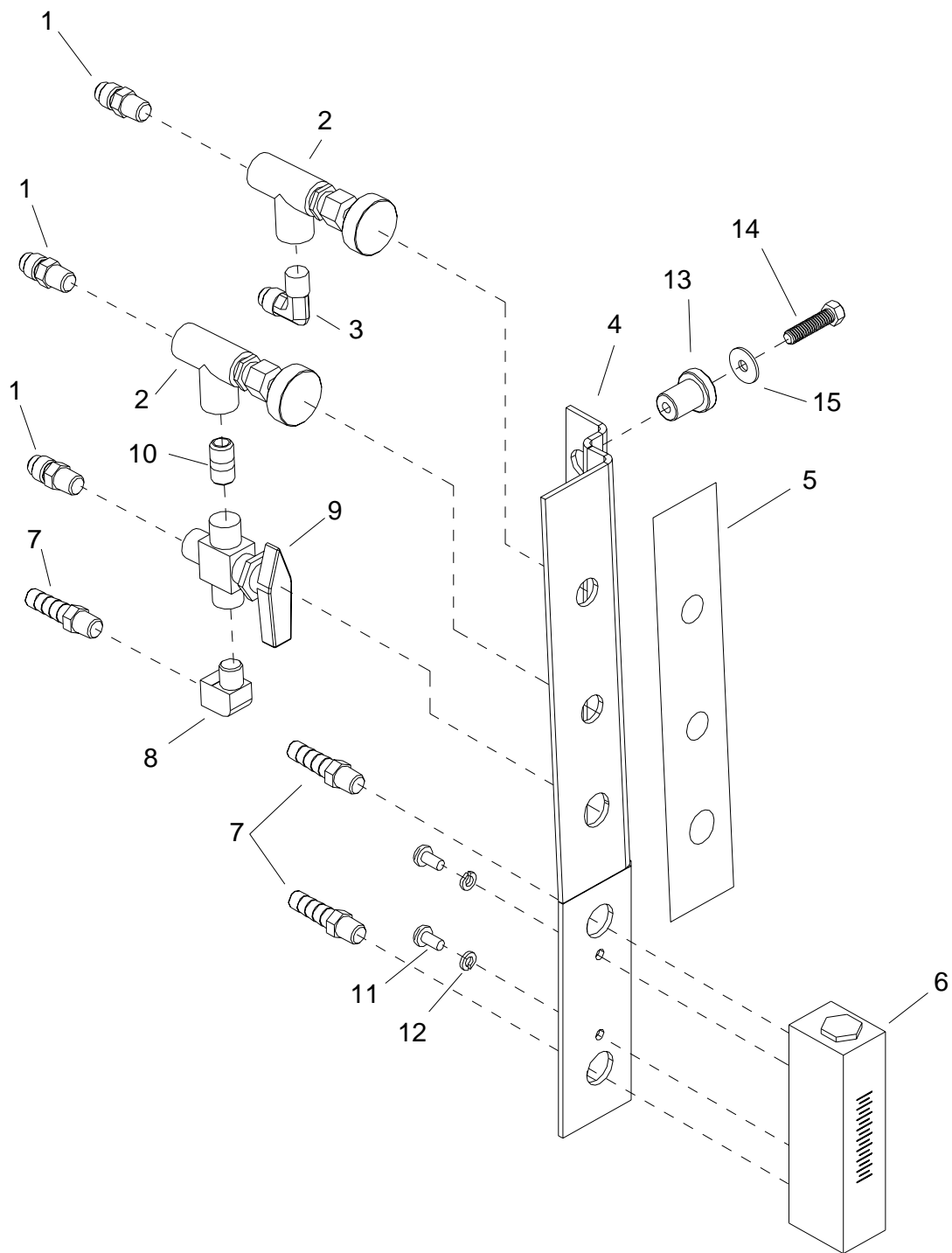
SIDE PANEL, LEFT



SIDE PANEL, LEFT

REF	PART NO.	QTY	DESCRIPTION	SERIAL NO. FROM	NOTES:
1	790431	1	BRKT, WTR INLET		
2	11-800437	1	ADPT, 3/8 BLKHD		
3	11-800102	1	NIP, 3/8 HX BR		
4	13-806008	1	DSC, 3/8F X 3/8FP		
5	15-808008	1	VLV, BALL 1/2FP BS		
6	84196	1	VALVE, BALL		
7	500694	1	LABEL, VAC/WTR INLET		
8	11-800300	1	NIP, 1/2 X CL		
9	790506	1	ADAPTER, HOSE 1/2M X MGT		
10	03-000176	2	CLAMP, HOSE #8		
11	03-000054	1	CLMP, HOSE #32 1.5625/2.5, SST		
12	12-800345	1	FTTG, BRB 3/8P X 5/8H BR		
13	09-805090	1	HOSE, INT VAC 2.0 X 49.0 BLK		
14	12-800269	1	FTTG, BRB 1/2P X 5/8H BR		

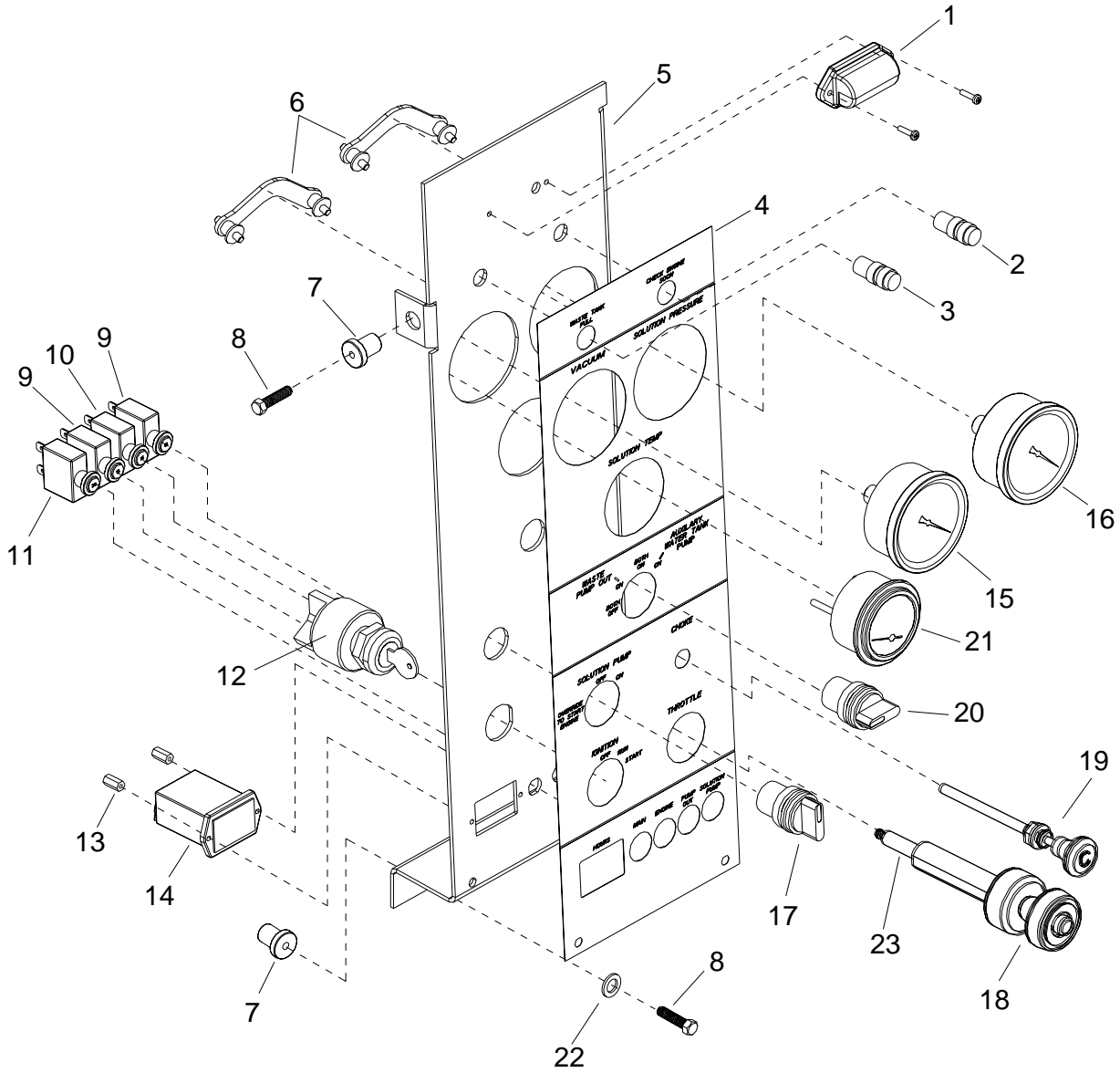
CHEMICAL CONTROL PANEL



CHEMICAL CONTROL PANEL

REF	PART NO.	QTY	DESCRIPTION	SERIAL NO. FROM	NOTES:
-	790965	-	ASSY, CHEM CONTRL PNL		COMPLETE
1	12-800065	3	CONN, 1/8P X 1/4T		
2	15-808106	2	VALVE, METER 1/8FP		
3	12-800040	1	ELL, 1/8P X 1/4T BR		
4	790910	1	PNL, CHEMICAL CONTROL		
5	500692	1	LABEL, CHEM CNTRL PN		
6	18-808513	1	FLOWMETER 1/8 FP		
7	12-800093	3	FTG, BRB 1/8P X 5/16H		
8	11-800014	1	ELL, STREET 1/8 BR		
9	15-808022	1	VALVE, 3-WAY BALL 1/8FP		
10	56032	1	NIPPLE, 1/8 CLOSE		
11	70162	2	SCR, 10-32 X 3/8 PPHMS SS		
12	87165	2	WASHER, #10 SPLIT LOCK		
13	790464	2	NUT, WELL 1/4-20 HD		
14	00-000078	2	SCR, 1/4-20 X 1" HXHD GRD8		
15	02-000066	2	FLATWASHER, 1/4		

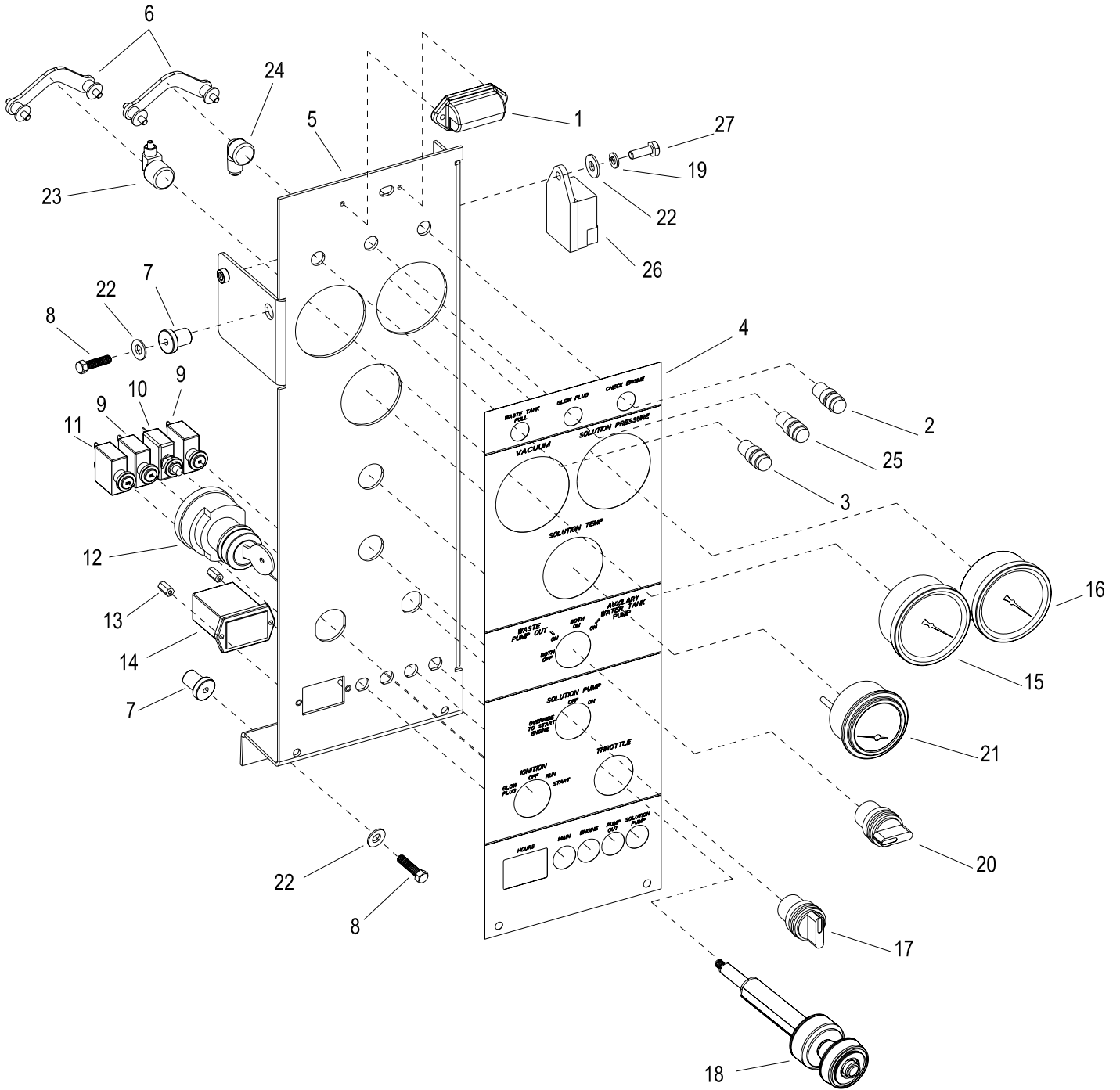
CONTROL PANEL - GAS



CONTROL PANEL - GAS

REF	PART NO.	QTY	DESCRIPTION	SERIAL NO. FROM	NOTES:
1	34-903026	1	LT, INST		
2	790787	1	LIGHT, WARNING, AMBER, IDEC		
3	21387	1	LIGHT, WARNING, IDEC AP2M		
4	790942	1	LABEL, CNTRL PNL, APEX		
5	790941	1	PNL, INSTRUMENT AP		
6	140702	2	BRKT, WIKA MOUNTING		
7	790464	3	NUT, WELL 1/4-20 HD		
8	00-000078	3	SCR, 1/4-20 X 1" HXHD GRD8		
9	140624	1	BRKR, CIRCUIT, 15A		
10	140634	1	BREAKER, 20AMP THERMAL CIRCUIT		
11	140625	1	BRKR, CIRCUIT, 30A		
12	32-900201	1	SW, START W/KEY 3 POS TM		
13	73811	2	STANDOFF, 6-32 X 1/2 HEX NYL		
14	54092	1	METER, 0-60VDC HOUR		
15	36227	1	GAUGE, VACUUM 30" HG		
16	36225	1	GAUGE, 0-1500 PSI		
17	61-950739	1	ASSY, OIL/W TR OVR RD SW P		
18	790966	1	CONTROL, THROTTLE, P31		
19	49-802518	1	CABLE, CHOKE		
20	730202	1	SWITCH, 4-WAY		
21	36229	1	GAUGE, TEMP, DATCON		
22	02-000066	3	FLATWASHER, 1/4		
23	81130	1	HOSE, 1/4ID FUEL BLK X 38"		
24	03-000261	1	CLAMP, CABLE 1/4ID 1/4BLT		(FOR CHOKE CABLE) NOT SHOWN
25	790979	1	HARNESS, WIRING, APEX		NOT SHOWN

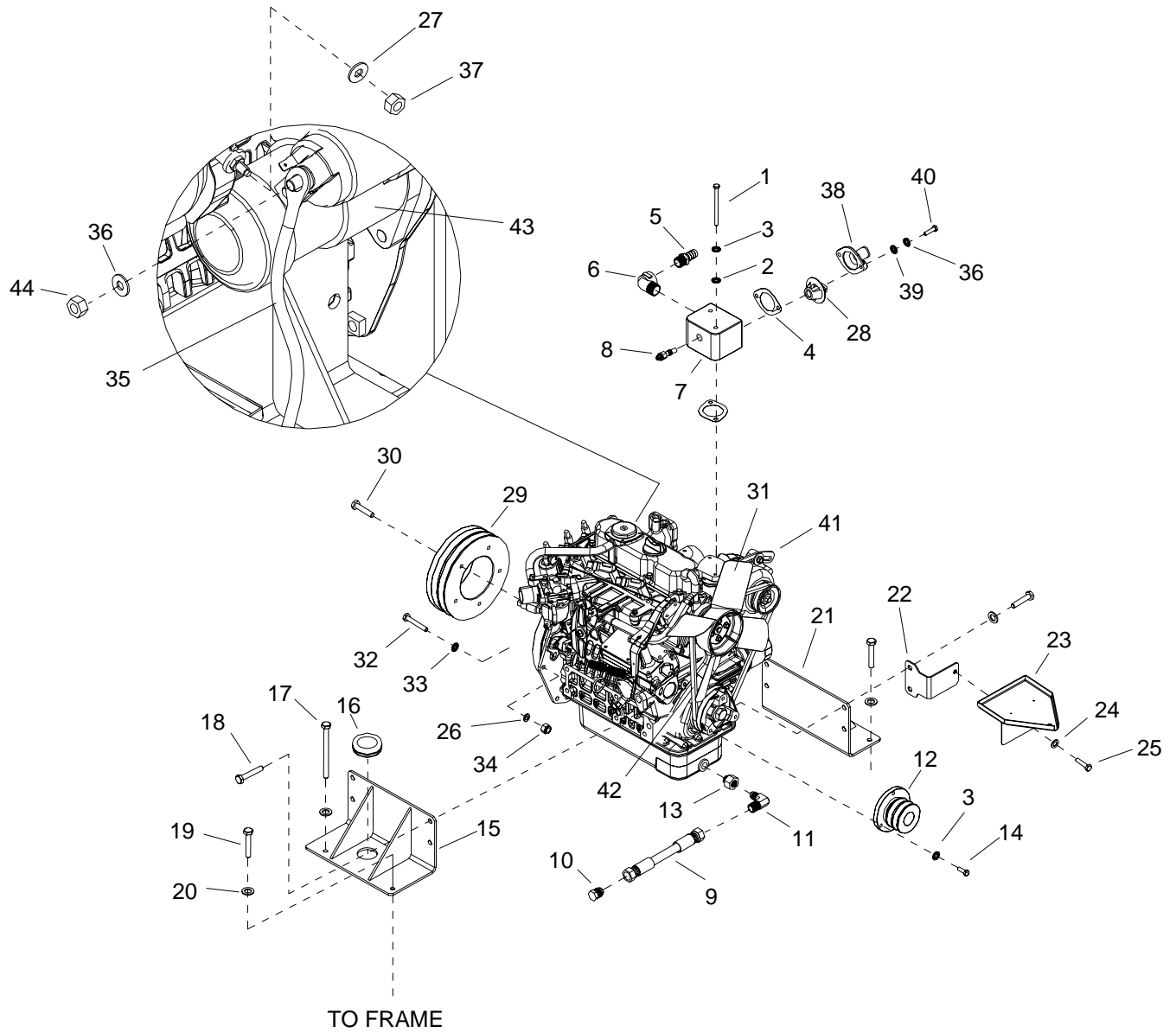
CONTROL PANEL - DIESEL



CONTROL PANEL - DIESEL

REF	PART NO.	QTY	DESCRIPTION	SERIAL NO. FROM	NOTES:
1	34-903026	1	LT, INST		
2	790787	1	LIGHT, WARNING, AMBER, IDEC		
3	21387	1	LIGHT, WARNING, IDEC AP2M		
4	791069	1	DEC, INSTR PNL, APEX D		
5	791068	1	PNL, INST APEX DIESEL		
6	140702	2	BRKT, WIKA MOUNTING		
7	790464	3	NUT, WELL 1/4-20 HD		
8	00-000078	3	SCR, 1/4-20 X 1" HXHD GRD8		
9	140624	2	BRKR, CIRCUIT, 15A		
10	140634	1	BREAKER, 20AMP THERMAL CIRCUIT		
11	140625	1	BRKR, CIRCUIT, 30A		
12	791086	1	SWITCH, IN, KUBOTA DIESEL		
13	73811	2	STANDOFF, 6-32 X 1/2 HEX NYL		
14	54092	1	METER, 0-60VDC HOUR		
15	36227	1	GAUGE, VACUUM 30" HG		
16	36225	1	GAUGE, 0-1500 PSI		
17	32-900206	1	SW, RTRY W/BYPASS NON-ILL		
18	791102	1	CNTRL, THROTTLE APEX DIESEL		
19	87162	1	WASHER, 1/4 SPLIT LOCK PLTD		
20	730202	1	SWITCH, 4-WAY		
21	36229	1	GAUGE, TEMP, DATCON		
22	02-000066	4	FLATWASHER, 1/4		
23	12-800101	1	ELL, 1/4FPx1/4 POLY BR		
24	12-800035	1	ELL, 1/4FPx1/4T BR		
25	791070	1	LIGHT, GLOW PLUG GRN, IDEC		
26	791105	1	TIMER, GLOW PLUG		
27	70270	1	SCR, 1/4-20 X 3/4 HHCS PLTD		
28	791071	1	HARNESS, WIRING, DIESEL		NOT SHOWN

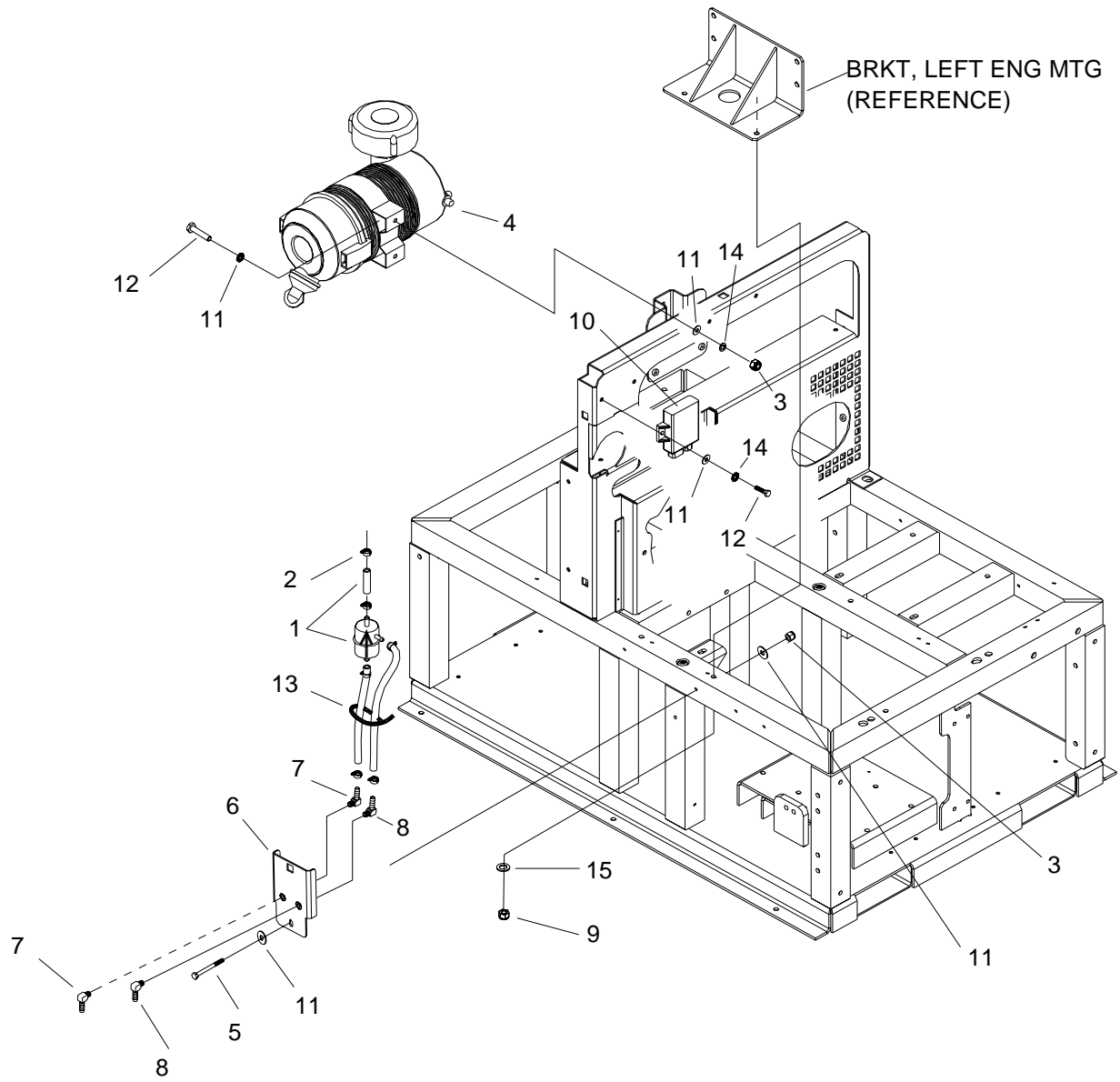
ENGINE - GAS



ENGINE - GAS

REF	PART NO.	QTY	DESCRIPTION	SERIAL NO. FROM	NOTES:
1	70307	2	SCR, M8 X 80HHCS PLTD		
2	87063	2	WASHER, TBO VAC SHUT-OFF MCHD		
3	87083	5	WASHER, 5/16 SPLIT LOCK PLTD		
4	790980	1	GSKT, THERM OUT, KU.WG972		
5	12-800361	1	FTTG, BRB 3/4PX1H BR		
6	11-800401	1	ELL, 3/4 ST BR		
7	790909	1	MNFLD, THERM ADAPTER		
8	35-900050	1	SENS. TEMP 240 DEG		
9	10-805315	1	HOSE, HP 3/8X13" (1/2FT BS)		
10	12-800062	1	PLUG, 1/2T		
11	31097	1	EL, BR, 1/4MNPT X 1/2 MJIC		
12	790928	1	PULLEY FRONT, KUBOTA WG972		
13	04103	1	ADPT, M12 - 1.25 X 1/4FNPT		
14	140644	3	SCR, M8 X 25MM SHCS SS		
15	790917	1	BRKT, LEFT ENG MTG		
16	790439	2	BUSH, HEYCO, 1" ID		
17	70554	1	SCR, 3/8-16 X 3.5 HHCS GR5 PLT		
18	790987	8	SCR, M10-1.25 X 20MM		
19	70069	3	SCR, 3/8-16 X 3 HHCS GR5		
20	87171	4	WASHER, 3/8 FLAT		
21	790922	1	BRKT, RIGHT ENG MTG		
22	790962	1	PLT, OIL DRAIN MTNG		
23	790115	1	BRKT, OIL DRAIN		
24	87162	1	WASHER, 1/4 SPLIT LOCK		
25	70270	1	SCR, 1/4-20 X 3/4 HHCS PLTD		
26	02-000066	2	FLATWASHER, 1/4		
27	87085	1	WASHER, M6 SPLIT LOCK DIN127B		
28	790969	1	THERM, 195DEG		
29	790929	1	PULLEY, REAR KUBOTA WG972		
30	70827	5	SCR, M8-1.25 X 6MM SHCS PLTD		
31	790992	1	FAN, ENGINE KUBOTA WG972		
32	70325	2	SCR, 5/16-18 X 1.25 HHCS GR5PLTD		
33	02-000143	2	WASHER, 5/16 FLAT PLTD		
34	57113	2	NUT, 5/16-18 HEX NYLOCK		
35	64-950519	1	CABLE, BAT X 71" RED		
36	87098	3	WASHER, M8 SPLIT LOCK		
37	57053	1	NUT, M6 HEX ZINC PLATED		
38	790988	1	COVER, THERMOSTAT		
39	87054	2	WASHER, M8 FLAT DIN125A PLT		
40	70184	2	SCR, 10-24 X 1/2 PHTC		
41	790904	1	ENG, KUBOTA, WG972		
42	790993	1	BELT, ENGINE KUBOTA WG972		
43	790990	1	STARTER, ENGINE KUBOTA WG972		
44	57054	1	NUT, M8		
-	790989	-	PUMP, WATER KUBOTA WG972		NOT SHOWN
-	790991	-	SPARK PLUG, KUBOTA WG972		NOT SHOWN
-	05-008005	-	OIL, 10W30WT DET (QT)		NOT SHOWN
-	790994	-	SENSOR, OIL PRESS, KUBOTA WG972		NOT SHOWN
-	790995	-	MANUAL, OPERATION KUBOTA WG972		NOT SHOWN
-	34435	-	FILTER, OIL, KUBOTA WG972		NOT SHOWN
-	70719	-	SCR, M4 X 8MM LG PPHMS		NOT SHOWN
-	70831	-	SCR, M6 X 6, HHC, 8.8 TCN, ZN		NOT SHOWN
-	790983	-	SPRING, THROTTLE RETURN		NOT SHOWN
-	790981	-	RETAINER, THROTTLE CABLE		NOT SHOWN
-	00-000408	-	SCR, SET 8-32 X 1/4 SS		NOT SHOWN
-	790982	-	STOP, THROTTLE SPRING		NOT SHOWN

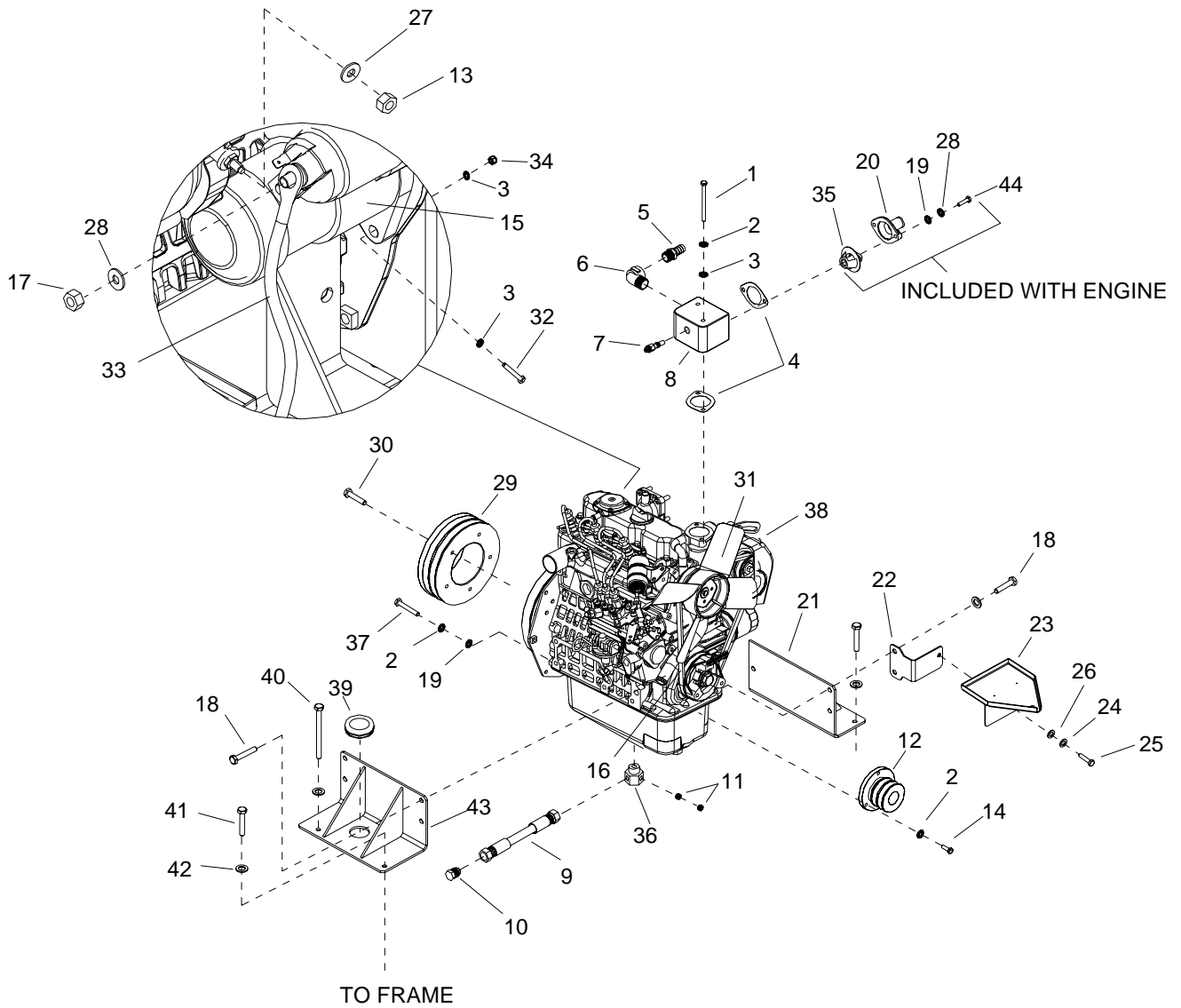
ENGINE - GAS



ENGINE - GAS

REF	PART NO.	QTY	DESCRIPTION	SERIAL NO. FROM	NOTES:
1	14-806574	1	FUEL FILTER		
2	03-000065	6	CLAMP, HOSE #4 SST		
3	57047	2	NUT, 1/4-20 HEX NYLOCK		
4	790780	1	ASMBLY, FLTR, AIR, ZEEMS		
5	00-000286	1	SCR, CAP 1/4-20 X 2.75 HXHD		
6	790961	1	BRKT, FUEL/LEFT HOOD MTG		
7	790605	2	EL, 90DEG 1/8 X 5/16HB		
8	790606	2	EL, 90DEG 1/8NPT X 1/4HB		
9	57119	4	NUT, 3/8-19 HEX NYLOCK		
10	790986	1	IGNITION, KUBOTA WG972		
11	02-000066	8	FLATWASHER, 1/4		
12	70270	5	SCR, 1/4-20 X 3/4 HHCS PLTD		
13	04-000053	3	TIE, CABL 8" WHT		
14	87162	5	WASHER, 1/4 SPLIT LOCK		
15	87171	4	WASHER, 3/8 FLAT		

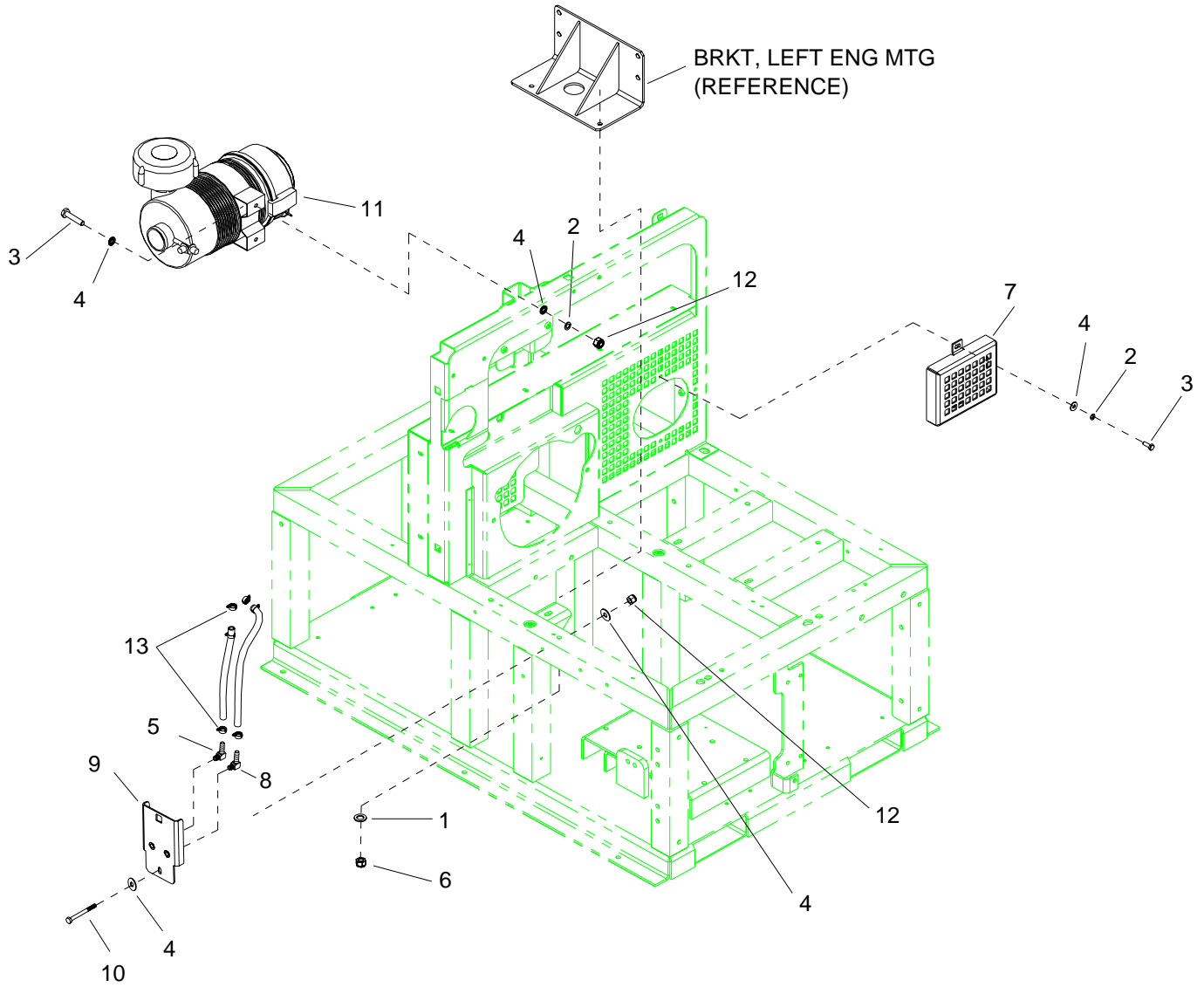
ENGINE - DIESEL



ENGINE - DIESEL

REF	PART NO.	QTY	DESCRIPTION	SERIAL NO. FROM	NOTES:
1	70307	2	SCR, M8 X 80HHCS PLTD		
2	87083	5	WASHER, 5/16 SPLIT LOCK PLTD		
3	02-000143	5	WASHER, 5/16 FLAT PLTD		
4	790980	2	GSKT, THERM OUT, KU.WG972		
5	12-800361	1	FTTG, BRB 3/4PX1H BR		
6	11-800401	1	ELL, 3/4 ST BR		
7	35-900050	1	SENS. TEMP 240 DEG		
8	790909	1	MNFLD, THERM ADAPTER		
9	10-805409	1	HOSE, HP 1/4 X 12 (1/4P X 1/4P)		
10	791110	1	CAP, 1/4" FPT BRASS		
11	11-800345	2	PLG, 1/4 SOCHD BRASS		
12	790928	1	PULLEY FRONT, KUBOTA WG972		
13	57053	1	NUT, M6 HEX ZINC PLATED		
14	140644	3	SCR, M8 X 25MM SHCS SS		
15	791137	1	STARTER, ENGINE KUBOTA WG972		
16	790993	1	BELT, ENGINE KUBOTA D902		
17	57054	1	NUT, M8		
18	790987	8	SCR, M10-1.25 X 20MM		
19	87054	1	WASHER, M8 FLAT DIN125A PLT		
20	790988	1	COVER, THERMOSTAT		
21	790922	1	BRKT, RIGHT ENG MTG		
22	790962	1	PLT, OIL DRAIN MTNG		
23	790115	1	BRKT, OIL DRAIN		
24	87162	7	WASHER, 1/4 SPLIT LOCK		
25	70270	4	SCR, 1/4-20 X 3/4 HHCS PLTD		
26	02-000066	8	FLATWASHER, 1/4		
27	87085	1	WASHER, M6 SPLIT LOCK DIN127B		
28	87098	3	WASHER, M8 SPLIT LOCK		
29	790929	1	PULLEY, REAR KUBOTA WG972		
30	70827	5	SCR, M8-1.25 X 60MM SHCS PLTD		
31	790992	1	FAN, ENGINE KUBOTA WG972		
32	70325	1	SCR, 5/16-18 X 1.25 HHCS GR5PLTD		
33	64-950519	1	CABLE, BAT X 71" RED		
34	57113	1	NUT, 5/16-18 HEX NYLOCK		
35	790969	1	THERM, CLNT, 180 DEG KUB WG972		
36	791074	1	PLUG, OIL DRAIN DIESEL		
37	70262	1	SCR, M8 X 20 HHMS PLTD		
38	790914	1	ENG, KUBOTA, D902		
39	790439	2	BUSH, HEYCO, 1" ID		
40	70554	1	SCR, 3/8-16 X 3.5 HHCS GR5 PLT		
41	70069	3	SCR, 3/8-16 X 3 HHCS GR5		
42	87171	4	WASHER, 3/8 FLAT		
43	790917	1	BRKT, LEFT ENG MTG		
44	70184	1	SCR, 10-24 X 1/2 PHTC		
-	790989	-	PUMP, WATER, KUBOTA		NOT SHOWN
-	791138	-	GLOW PLUG, D902 KUB		NOT SHOWN
-	791129	-	OIL, CRANKCASE DIESEL		NOT SHOWN
-	790991	-	SPARK PLUG, ENGINE, WG972 KUB		NOT SHOWN
-	791139	-	MANUAL, OPERATION KUBOTA D902		NOT SHOWN
-	34435	-	FILTER, OIL KUBOTA		NOT SHOWN
-	791140	-	SOLENOID, ENG D902 KUB		NOT SHOWN
-	791117	-	ATTACH, THROTTLE CABLE TO ARM		NOT SHOWN
-	66073	-	PIN, COTTER 1/16" X 3/4" L PLTD		NOT SHOWN
-	02-000066	-	FLATWASHER, 1/4		NOT SHOWN
-	791120	-	SPACER, THROTTLE LINKAGE		NOT SHOWN
-	791130	-	SPG, THROTTLE RETURN, DIESEL		NOT SHOWN

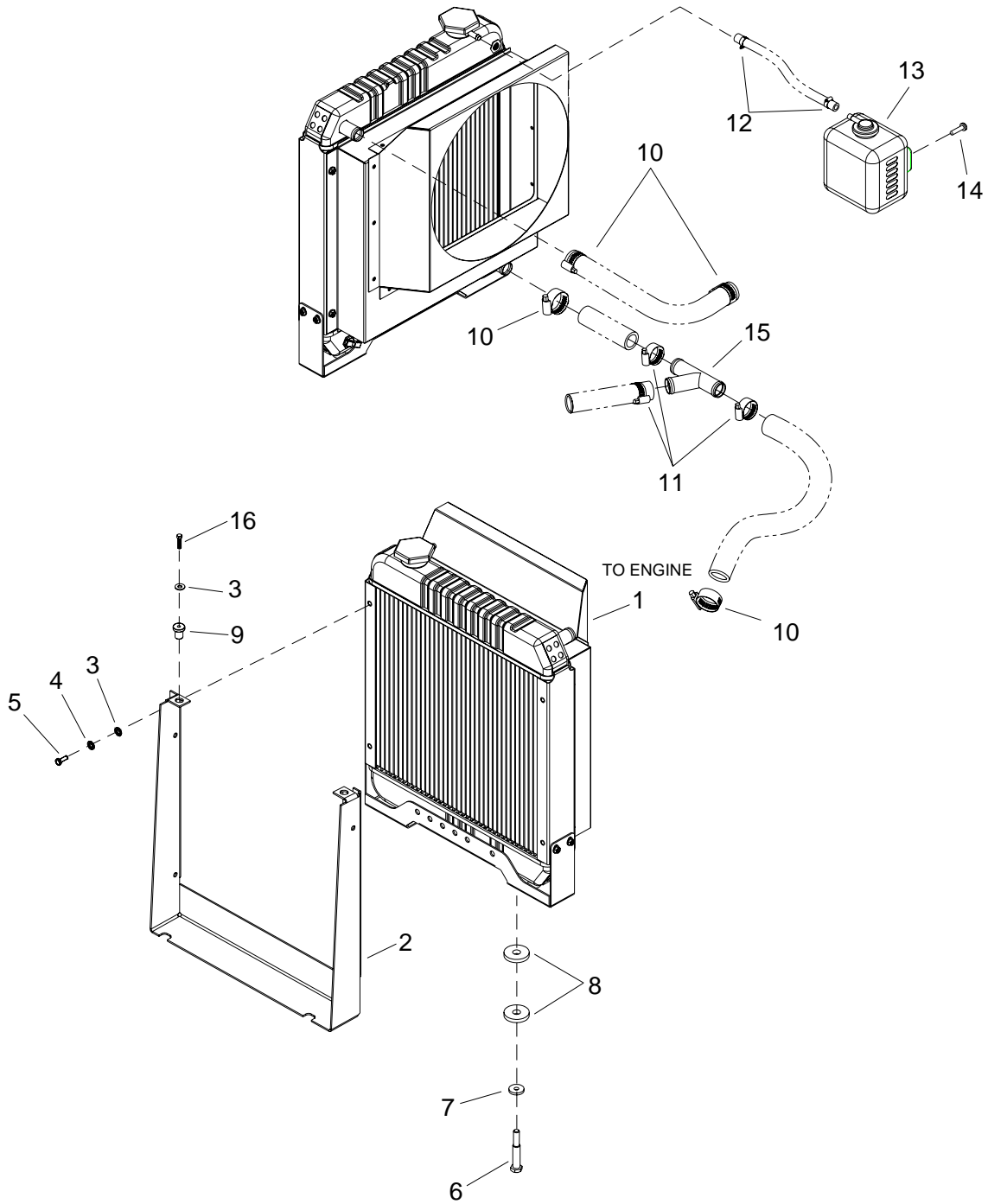
ENGINE - DIESEL



ENGINE - DIESEL

REF	PART NO.	QTY	DESCRIPTION	SERIAL NO. FROM	NOTES:
1	87171	4	WASHER, 3/8 FLAT		
2	87162	7	WASHER, 1/4 SPLIT LOCK		
3	70270	4	SCR, 1/4-20 X 3/4 HHCS PLTD		
4	02-000066	8	FLATWASHER, 1/4		
5	791114	1	HOSEBARB, 1/8M X 5/16H 90 DEG		
6	57119	4	NUT, 3/8-16 HEX NYLOCK		
7	791131	1	BRKT, HUB GUARD		
8	790605	1	EL, 90DEG 1/8 X 5/16HB		
9	790961	1	BRKT, FUEL/LEFT HOOD MTG		
10	00-000286	1	SCR, CAP 1/4-20 X 2.75 HXHD		
11	790780	1	ASMBLY, FLTR, AIR, ZEEMS		
12	57047	3	NUT, 1/4-20 HEX NYLOCK		
13	03-000065	4	CLAMP, HOSE #4 SST		

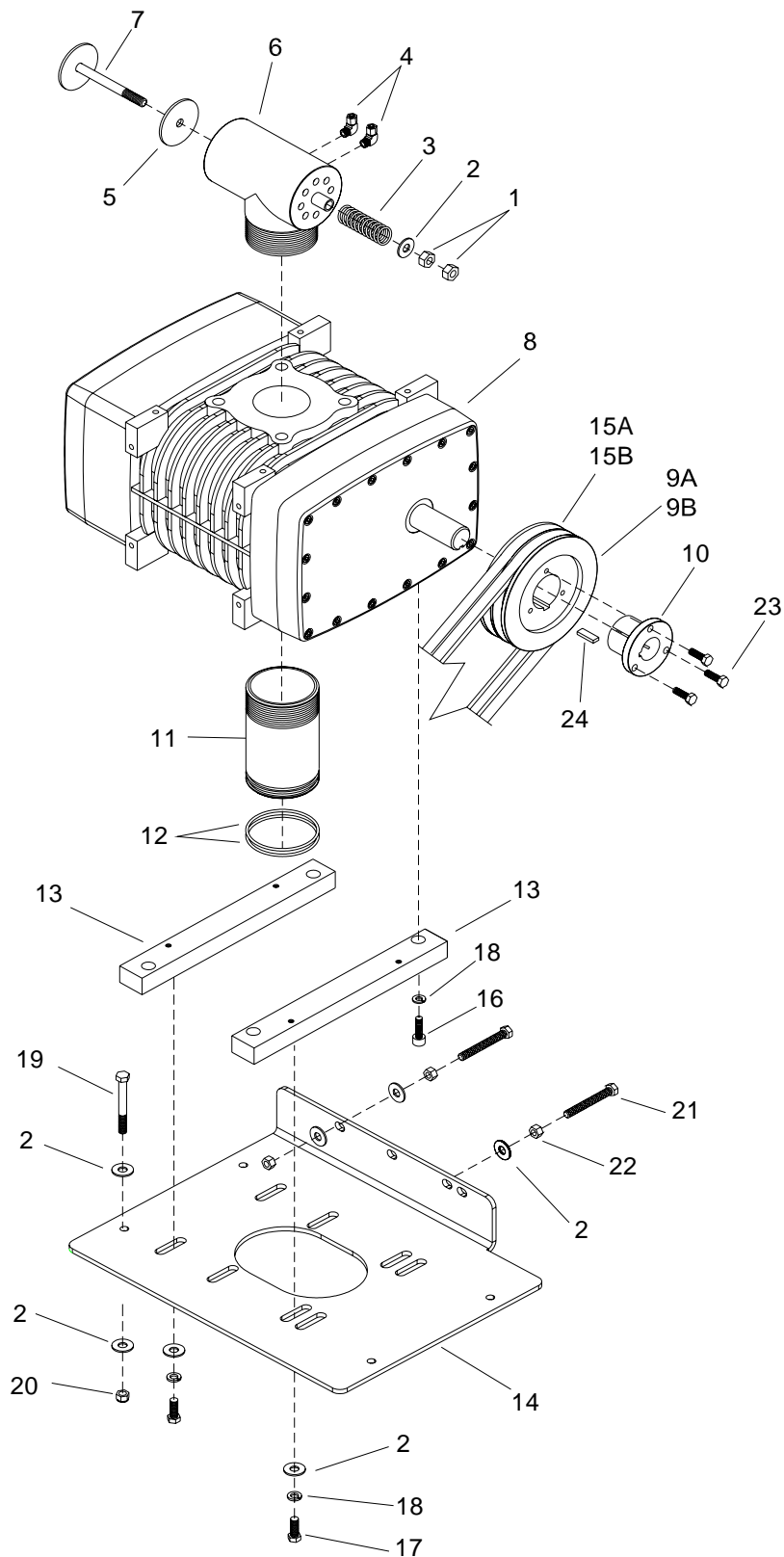
COOLANT SYSTEM



COOLANT SYSTEM

REF	PART NO.	QTY	DESCRIPTION	SERIAL NO. FROM	NOTES:
1	790918	1	RADIATOR,KUBUTA W/SHROUD		
2	790953	1	PNL, FRONT RAD CLOSEOUT		
3	02-000066	6	FLATWASHER, 1/4		
4	87162	4	WASHER, 1/4 SPLIT LOCK		
5	70270	4	SCR, 1/4-20 X 3/4 HHCS PLTD		
6	70825	2	SHOULDER BOLT, 5/8 OD X 2.25L		
7	87088	2	WASHER, 5/8 ID X 1.18 X .06 SS		
8	790930	4	WASH, .612IDX1.31OD, RAD, APEX		
9	790464	2	NUT, WELL 1/4-20 HD		
10	03-000113	4	CLAMP, HOSE #12 SST		
11	03-000248	3	CLMP, HOSE #16 1-1/2 MIN 1-3/4		
12	03-000065	2	CLAMP, HOSE #4 SST		
13	140642	1	BTL, CLNT RECIV, PIN, 1 LTR		
14	00-000216	2	SCR, CAP 1/4-20 X 1/2 FLTSO		
15	790936	1	ADAPTER, Y COOLANT		
16	00-000078	2	SCR, 1/4-20 X 1" HXHD GRD8		

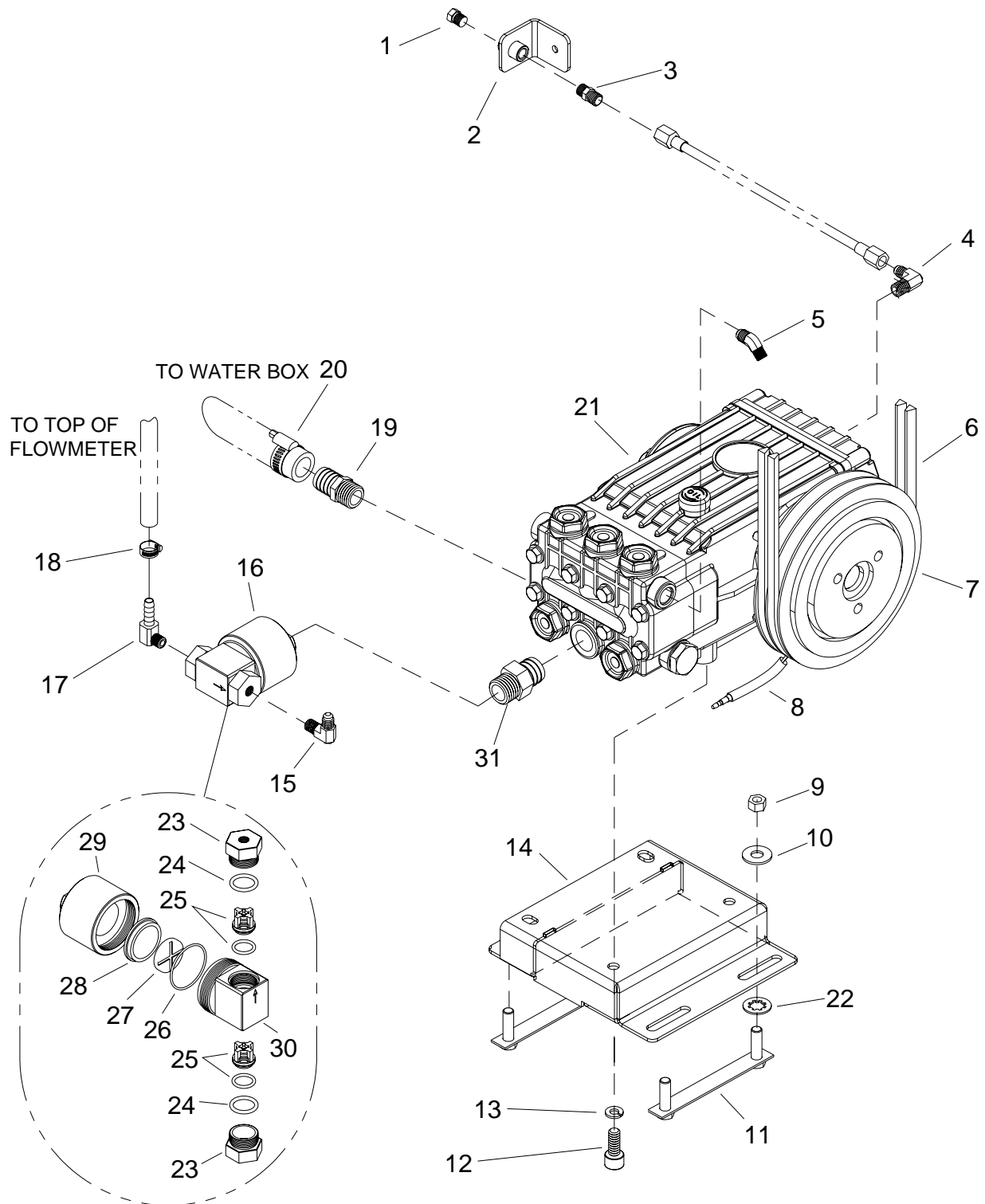
VACUUM BLOWER



VACUUM BLOWER

REF	PART NO.	QTY	DESCRIPTION	SERIAL NO. FROM	NOTES:
1	57114	2	NUT, 7/16-14 HEX		
2	87171	16	WASHER, 3/8 FLAT		
3	04-000091	1	SPRING, VAC REL VLV		
4	12-800099	2	ELL, 1/8P X 1/4 POLY BR		
5	43-807106	1	DIAPH, VAC REL VLV		
6	52-501684	1	ELL, VAC REL VLV		
7	56-501994	1	STM-VAC REL VLV		
8	140611	1	BLWR, TRI-FLOW		
9A	790954		PULLEY, 2TB64		GAS ONLY
9B	44-802335	1	PULL, 2TB74 PERF 805		DIESEL ONLY
10	791115	1	HUB, Q1 X 1-1/4		
11	52-502071	1	NIPPLE, VAC OUTL TRI-FLOW		
12	43-810104	2	O-RING, 3-1/4 X 3-1/2 OD		
13	790443	2	SPACER, BLOWER		
14	790442	1	PLT, BLOWER ADJUST		
15A	790963	2	BELT, GDYR, V, BX47		GAS ONLY
15B	44-802199	2	BELT, BX48 GOODYEAR MATCH		DIESEL ONLY
16	790467	4	SCR, 3/8-16 X 1.25 SHCS PLTD		
17	70377	4	SCR, 3/8-16 X 1.25 HHCS SS		
18	87163	8	WASHER, 3/8 SPLIT LOCK		
19	70069	4	SCR, 3-8-16 X 3 HHCS GR5		
20	57119	4	NUT, 3/8-16 HEX NYLOCK		
21	00-000336	2	SCR, CAP 3/8-16 X 3 ALL THD		
22	57111	3	NUT, 3/8-16 HEX		
23	791116	3	SCR, 3/8-16 X 1.25 HHMS GR8 PL		
24	54-500412	1	KEY, 1/4 SQ X 1.88		

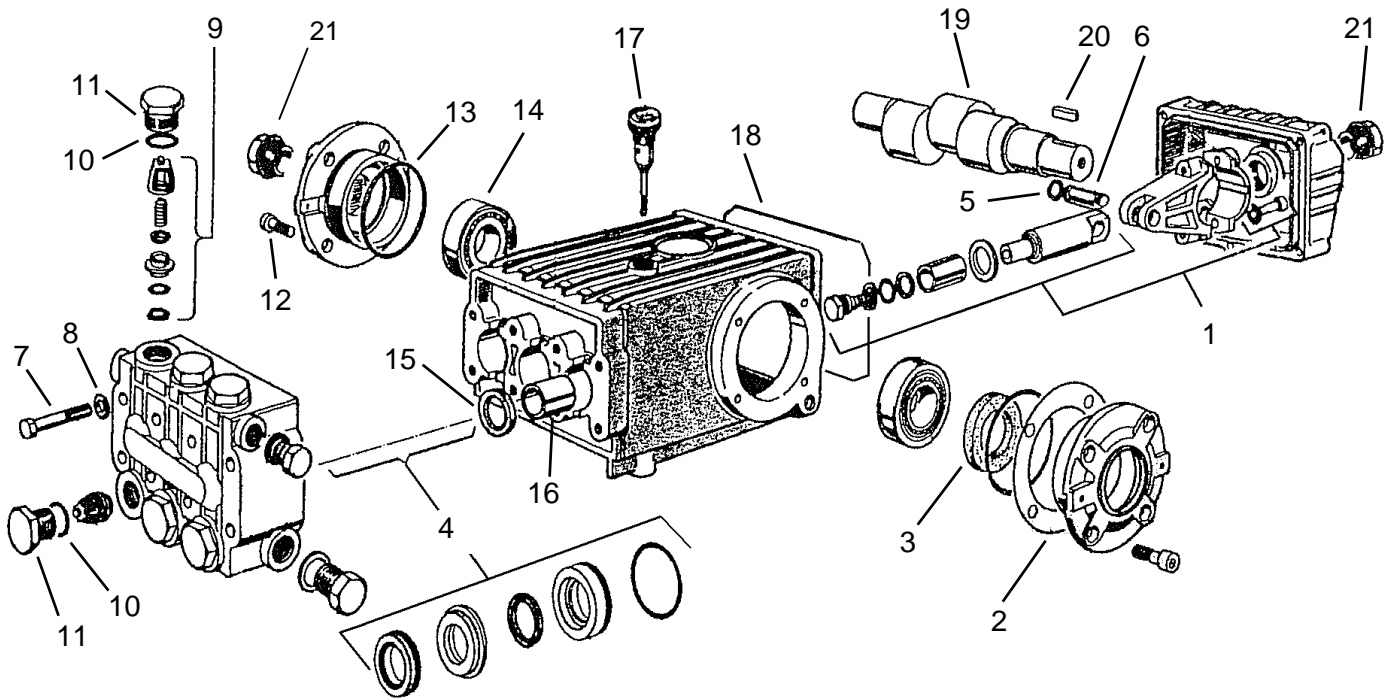
WATER PUMP



WATER PUMP

REF	PART NO.	QTY	DESCRIPTION	SERIAL NO. FROM	NOTES:
1	11-800101	1	PLUG, 1/8P		
2	790434	1	BRKT, 1/8 ALUM COUPLER		
3	12-800065	1	CONN, 1/8P X 1/4T		
4	31095	1	EL, 1/4 MJIC X 1/4 MBSPP		
5	12-800347	1	ELL, 3/8P X 1/2T 45 DEG. BR		
6	790964	2	BELT, AX38 GOODYEAR MATCH		
7	790976	1	CLUTH, 2X BELT, P31		
8	51372	1	LOOM, 1/4 HE TMP X 10"		
9	57119	4	NUT, 3/8-16 HEX NYLOCK		
10	87171	4	WASHER, 3/8 FLAT		
11	790436	2	STRAP, WTR PMP HOLDDOWN		
12	70826	4	SCR, M10-1.5 X 20MM SHCS PLTD		
13	87168	4	WASHER, M10 SPLIT		
14	790935	1	BRKT, WTR PMP MTG		
15	12-800040	1	ELL, 1/8P X 1/4T BR		
16	41-809158	1	PUMP, CHEM TM (O-RING) SS		
17	790605	1	EL, 90 DEG 1/8 X 5/16 HB		
18	03-000065	2	CLAMP, HOSE #4 SST		
19	12-800278	1	FTTG, BRB 1/2P X 3/4H BR		
20	03-000113	1	CLAMP, HOSE #12 SST		
21	65241	1	PUMP, ASSY, GEN 4.5GPM, P31		
22	57302	4	NUT, 3/8 PUSH PLATE		
23	16-808237	2	CAP, CHK VALVE CHM. PUMP		
24	43-810079	2	O-RING, 7/8 ID X 1-1/16OD		
25	42-809265	2	CHECK VALVE, CHEM PUMP		
26	43-810105	1	O-RING, 1-5/8OD X 1-3/4 OD/40D VITON		
27	42-809264	1	DISK, CHEM PUMP		
28	42-809047	1	DIAPHRAGM, CHEM PUMP		
29	52-502053	1	CVR, CHEM PUMP		
30	52-502052	1	BDY, CHEM PMP		
31	04102	1	ADAPTR, PULSE PMP, GEN PUMP		

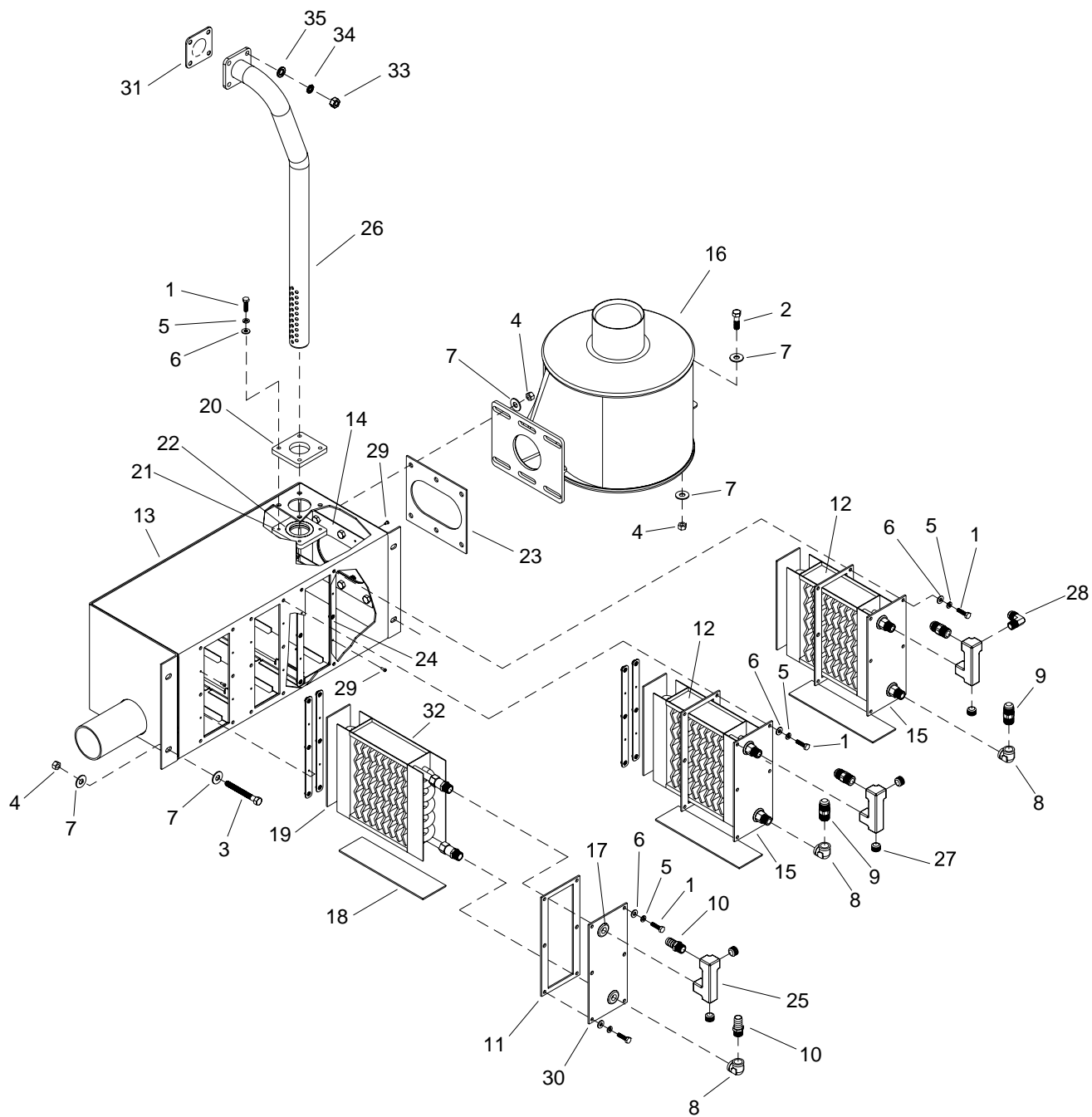
WATER PUMP



WATER PUMP

REF	PART NO.	QTY	DESCRIPTION	SERIAL NO.	NOTES:
1	791031	1	KIT, PLUNGER MAINT		
2	791049	2	SPACER, CRNK CAS COVER		
3	791030	1	KIT, CRANKCASE SEALS		
4	791032	1	KIT, PLUNGER SEAL MAINT		
5	791046	3	CIRCLIP, GEN PMP		
6	791047	3	WRIST PIN, GEN PMP		
7	791033	8	BOLT, HEAD, M8		
8	791034	8	WASHER, M8		
9	791035	6	ASSY, CHECK VALVE GEN PMP		
10	791036	6	O-RING, CAP, GEN PMP		
11	790137	6	CAP, NICKEL, GEM PMP		
12	790138	6	SCR, M8		
13	790139	2	O-RING, CRNK CAP, GEM PMP		
14	791040	2	BEARING, CRNK CASE, GEN PMP		
15	791029	3	KIT, PISTON ROD SEALS (3)		
16	791041	3	BUSH, CRNK CASE, GEN PMP		
17	791042	1	DIPSTICK, VENTED		
18	791043	1	O-RING, CRNK CASE, REAR, GEN PMP		
19	791044	1	CRANKSHAFT, GEN PMP		
20	791045	1	KEY, CRNKSHFT, GEN PMP		
21	791048	2	OIL INDICATOR, GEN PMP		
22	791106	1	OIL, GENERAL PUMP		NOT SHOWN

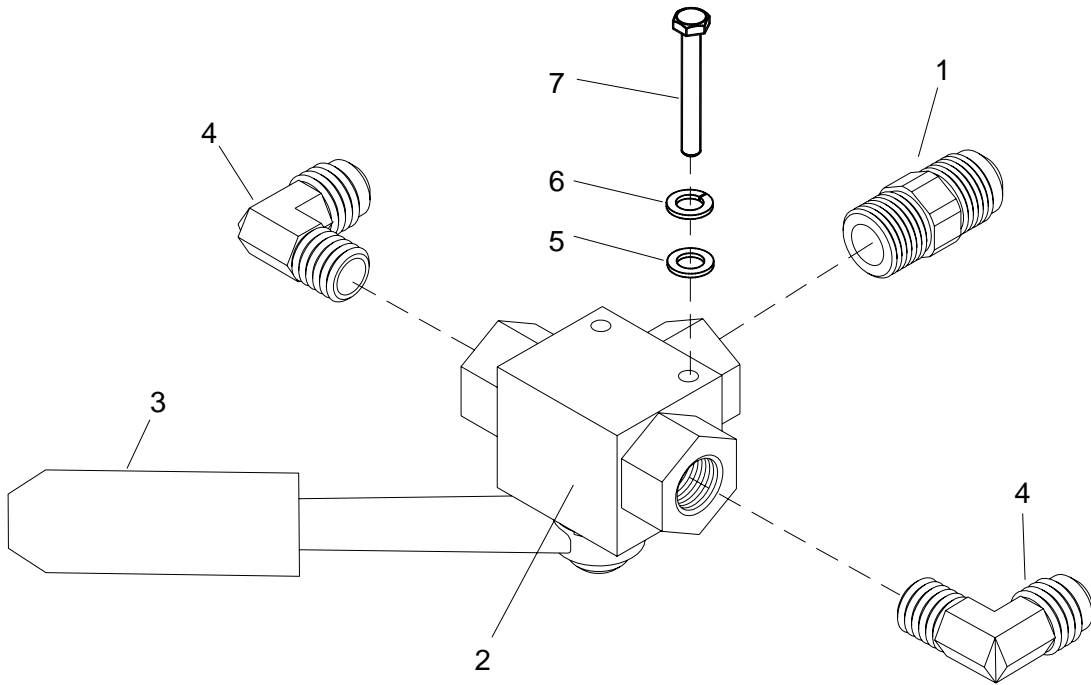
VAC/EXHAUST HEAT EXCHANGER/SILENCER



VAC/EXHAUST HEAT EXCHANGER/SILENCER

REF	PART NO.	QTY	DESCRIPTION	SERIAL NO. FROM	NOTES:
1	00-000078	22	SCR, 1/4-20 X 1" HXHD GRD8		
2	70377	1	SCR, 3/8-16 X 1.25 HHCS GR5PLT		
3	70069	4	SCR, 3/8-16 x 3 HHCS GR5		
4	57119	11	NUT, 3/8-16 HEX NYLOCK		
5	87162	22	WASHER, 1/4-20 SPLIT LOCK PLTD		
6	02-000066	22	FLTWSR, 1/4		
7	87171	16	WASHER, 3/8 FLAT		
8	11-800276	3	ELL, 3/8 BR		
9	12-800282	4	CONN, 3/8P x 1/2T BR		
10	12-800345	2	FTTG, BRB 3/8P x 5/8H BR		
11	790050	3	GASKET, VAC HE CVR		
12	790388	2	ASSEMBLY, HEATER CORE		
13	790064	1	HSG, VAC HE		
14	790121	1	PLT, VAC MUFFLER MTG		
15	620023	2	PLT, HEATER CORE CVR, STL		
16	790341	1	VAC MUFFLER		
17	36238	6	GROM, 1/2IDX1-1/4OD 1/8G 5/16W		
18	790343	3	PAD, BTM VAC HTR CORE		
19	790423	3	PAD, REAR VAC HTR CORE		
20	790328	1	PLT, UPPER EXHAUST		
21	790329	1	PLT, LOWER EXHAUST		
22	790330	1	SEAL, CONICAL EXHAUST		
23	790039	1	GASKET, VAC HE BOX TO MUFFLER		
24	790051	6	PLT, NUT-VAC HE HSG		
25	790038	3	FORGING, HEATER CORE MANIFOLD		
26	790926	1	TUBE EXHAUST ASSY		
27	11-800224	5	PLG, 3/8 SOCHD BR		
28	12-800225	1	ELL, ST 3/8 P X 1/2T BR		
29	00-000064	14	RIV, 1/8 x 3/8 ALUM		
30	620024	1	PLT, HEATER CORE CVR FRONT, STL		
31	35275	1	GSK, EXH, KUB D902/WG972		
32	790505	1	ASSEMBLY, HEATER CORE (COPPER)		INCLUDES 17 & 30
33	57052	4	NUT, M8 HEX		
34	87098	4	WASHER, M8 SPLIT LOCK		
35	87054	4	WASHER, M8 FLAT DIN125A PLT		

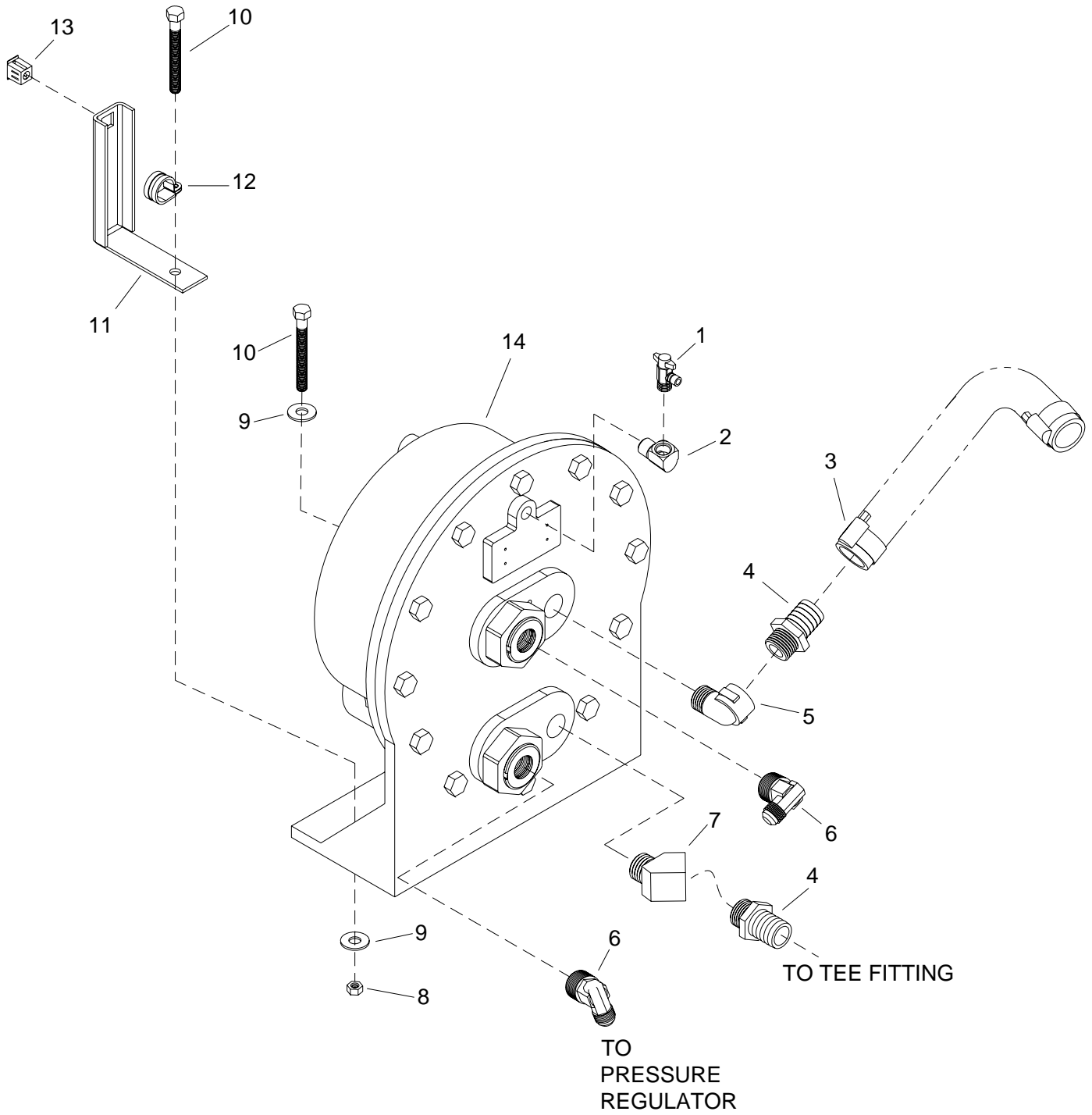
SOLUTION TEMPERATURE CONTROL VALVE



SOLUTION TEMPERATURE CONTROL VALVE

REF	PART NO.	QTY	DESCRIPTION	SERIAL NO. FROM	NOTES:
1	12-800282	1	CONN, 3/8P X 1/2T BR		
2	84192	1	VLV, BALL, 3-WAY, HI-TEMP/PRES		INCLUDES REF# 3
3	38317	1	HNDL, VALVE, 3-WAY, HI P/T		
4	12-800225	2	ELL, 3/8P X 1/2T BR		
5	02-000066	2	FLATWASHER, 1/4		
6	87162	2	WASHER, 1/4 SPLIT LOCK		
7	70017	2	SCR, CAP 1/4-20 X 2.50 HHCS		

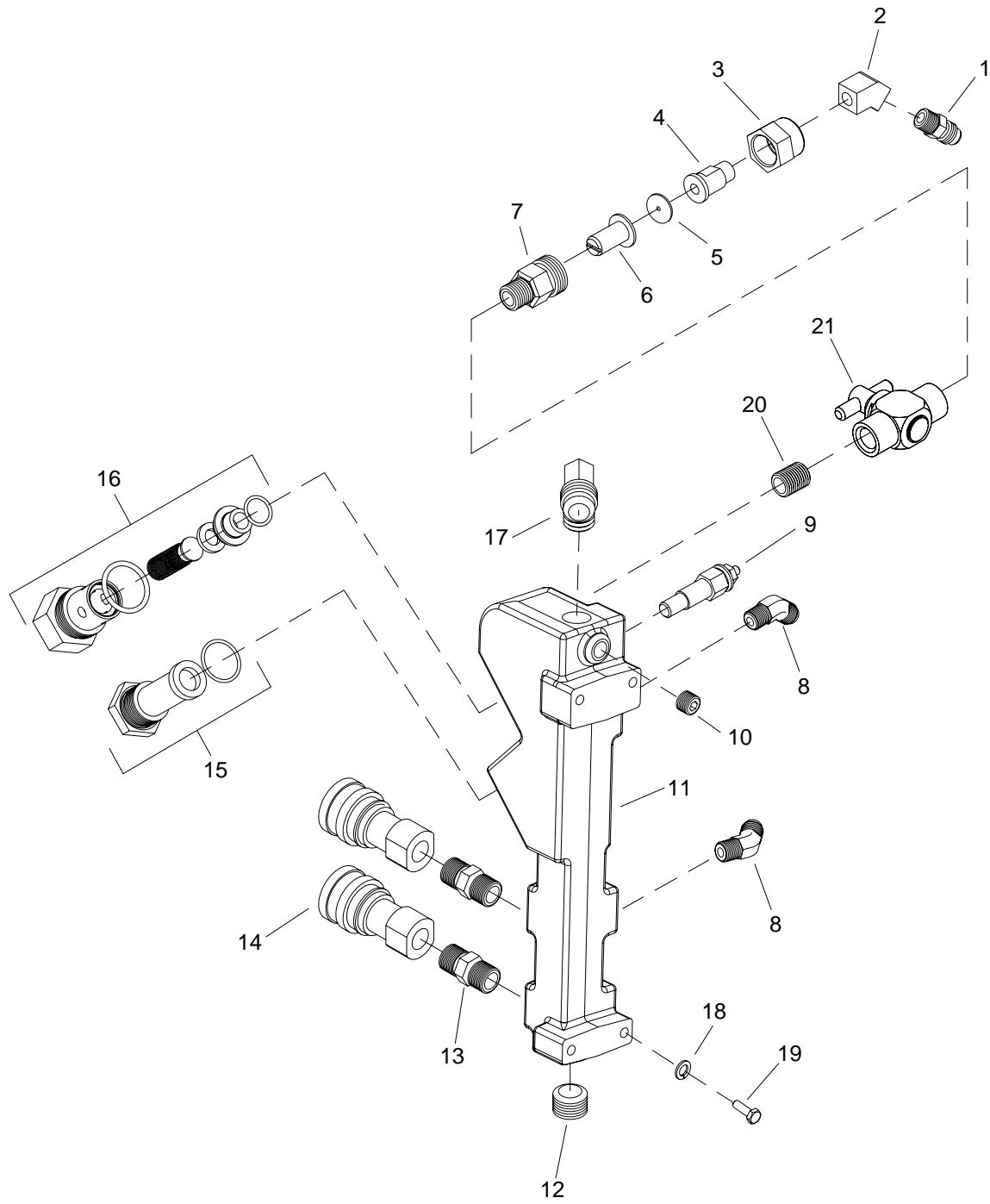
HELI-COIL HEAT EXCHANGER



HELI-COIL HEAT EXCHANGER

REF	PART NO.	QTY	DESCRIPTION	SERIAL NO. FROM	NOTES:
1	15-808073	1	COCK, DRN 1/4P X 1/4 HOSE ELL		
2	31016	1	ELBOW, 1/4NPT STREET		
3	03-000248	2	CLMP, HOSE #16 1-1/2 MIN 1-3/4		
4	12-800361	2	FTTG, BRB 3/4PX1H BR		
5	11-800401	1	ELL, 3/4 ST BR		
6	12-800326	2	ELL, 3/4PX1/2T BR		
7	31903	1	ELBOW, 3/4" 45 DEG BRASS ST		
8	57119	2	NUT, 3/8-16 HEX NYLOCK		
9	87171	2	WASHER, 3/8 FLAT		
10	70554	2	SCR, 3/8-16 X 3.5 HHCS GR5PLTD		
11	790445	1	BRKT, RIGHT HOOD MTG		
12	81270	1	CALMP, 3/4 DIA CUSHION .406 DIA		
13	01-000259	1	RECPT, SNAPIN 1/4 TURNFA		
14	57-520073	1	HE, HELI-COIL		

SOLUTION OUTLET



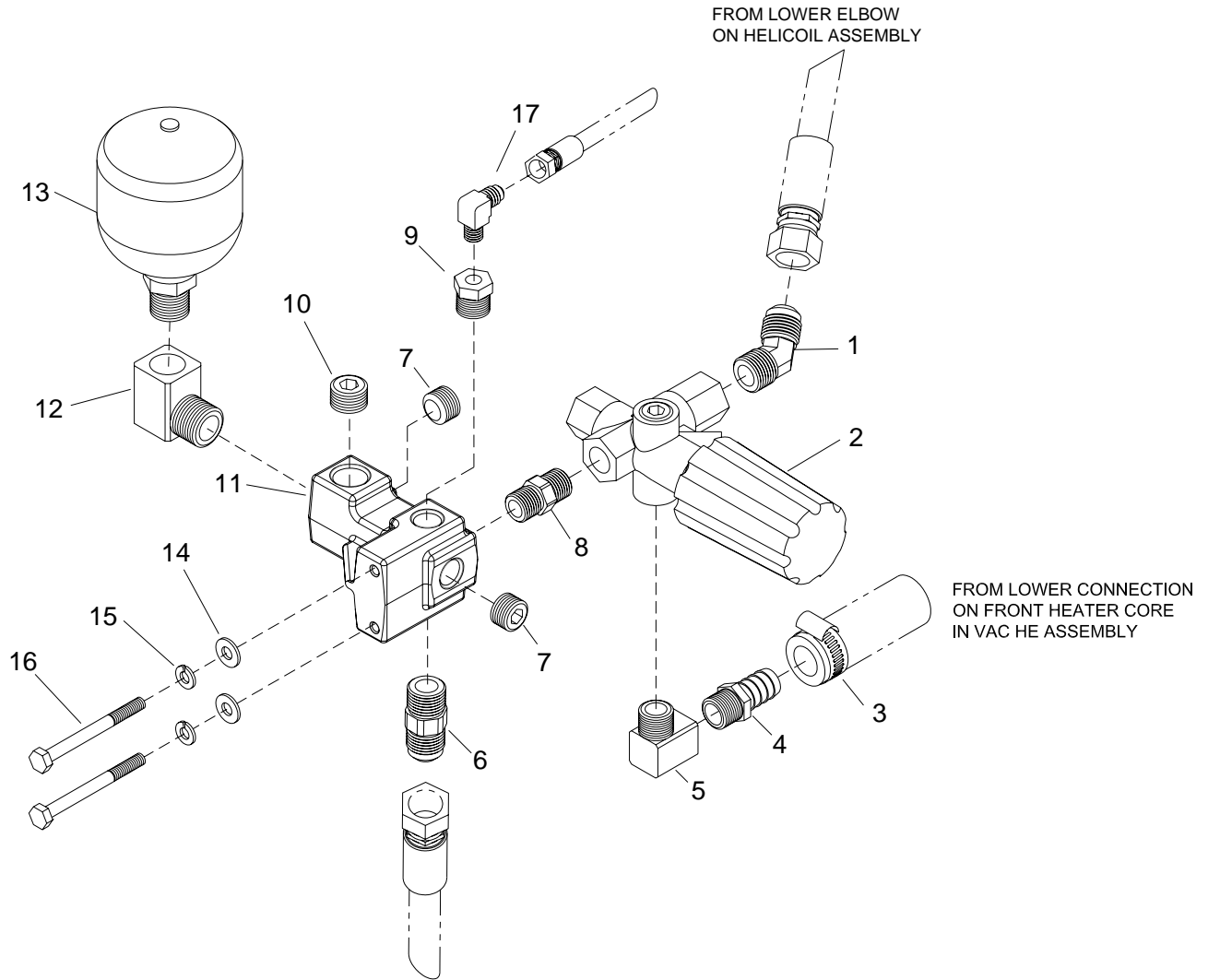
SOLUTION OUTLET

REF	PART NO.	QTY	DESCRIPTION	SERIAL NO. FROM	NOTES:
1	12-800065	1	CONN, 1/8P X 1/4T		
2	31092	1	ELBOW, 1/8" 45 DEG BRASS		
3	27074	1	CAP, NOZZLE		
4	790839	1	ADAPTER, HOSE BYPASS		
5	790836	1	ORIFICE PLATE, BYPASS		
6	14-806512	1	STRNR, JET 50MESH		
7	17-803010	1	CONN, 1/4P X 11/16-16M		
8	12-800261	2	ELL, 1/8P X 1/4T 45 DEG		
9	34-903019	1	SENDER, TEMP 140-320DEG		
10	11-800206	1	PLG, 1/8 SOCHD BR		
11	790844	1	MANIFOLD, SOLUTION		
12	11-800224	1	PLUG, 3/8 SOCHD BR		
13	56015	2	NIPPLE, 1/4 HEX		
14	22015	2	COUPLER, 1/4 QD		
15	730224	1	SCRN, MESH W/O-RNG, SOL MNFLD		
16	15-808094	1	VALVE, CHECK		
17	12-800225	1	ELL,S 3/8PX1/2T BR		
18	87162	4	WASHER, 1/4 SPLIT LOCK		
19	70270	4	SCR, 1/4-20 X 3/4 HHCS PLTD		
20	56014	1	NIPPLE, 1/4 CLOSE		
21	84195	1	VALVE, 1/4FP BALL W/HANDLE CAPS		

WATER BOX

REF	PART NO.	QTY	DESCRIPTION	SERIAL NO. FROM	NOTES:
1	11-800041	1	ELL, STREET 1/2 BR MACH		
2	12-800269	3	FTTG, BRB 1/2P X 5/8H BR		
3	03-000246	6	CLAMP, HOSE, #8 SST		
4	11-800361	1	ELL, 1/2 BR		
5	15-808110	1	VALVE, FLOAT		
6	790132	1	MLDG, WATER BOX		
7	790437	1	STRAP, WTR BOX HOLDDOWN		
8	57047	2	NUT, 1/4-20 HEX NYLOCK		
9	02-000066	4	FLATWASHER, 1/4		
10	11-800085	1	TEE, 1/2 BRASS		
11	00-000286	2	SCR, CAP 1/4-20 X 2.75 HXHD		
12	11-800432	1	CAP, WATER BOX		
13	14-806540	2	STAINER, SUC END 1/2FP		
14	11-800300	1	NIP, 1/2 X CL		
15	57006	2	NUT, 1/4-20 HEX		
16	790411	1	ROD, FLOAT (1/4-20 X 4") SS		
17	19-807014	1	BALL, FLOAT		
18	11-800021	1	BUSH, 1/2X1/8 BR		
19	11-800069	1	PLUG, 1/2 SOCHD BR		
20	12-800278	1	FTTG, BRB 1/2P X 3/4H BR		
21	03-000113	1	CLAMP, HOSE #12 SST		
22	12-800065	2	CONN, 1/8P X 1/4T		
23	11-800020	2	BUSH, 1/2X 1/4 BR		
24	15-808075	1	VLV, TEMP REL 145DEG		
25	12-800261	1	ELL, 1/8P X 1/4T 45 DEG		
26	57090	1	NUT, 10-32 HEX NYLOCK SS		
27	52-501706	1	NUT, FLOAT VALVE		
28	16-808217	1	BODY, FLOAT LVL		
29	00-000337	1	SCR, 10-32 X 1" SOCHD SST		
30	16-808216	1	ARM, PIVOT-FH VLV		
31	16-808219	1	PISTON, FH VLV		
32	16-808164	1	SEAT, FLOAT VLV		

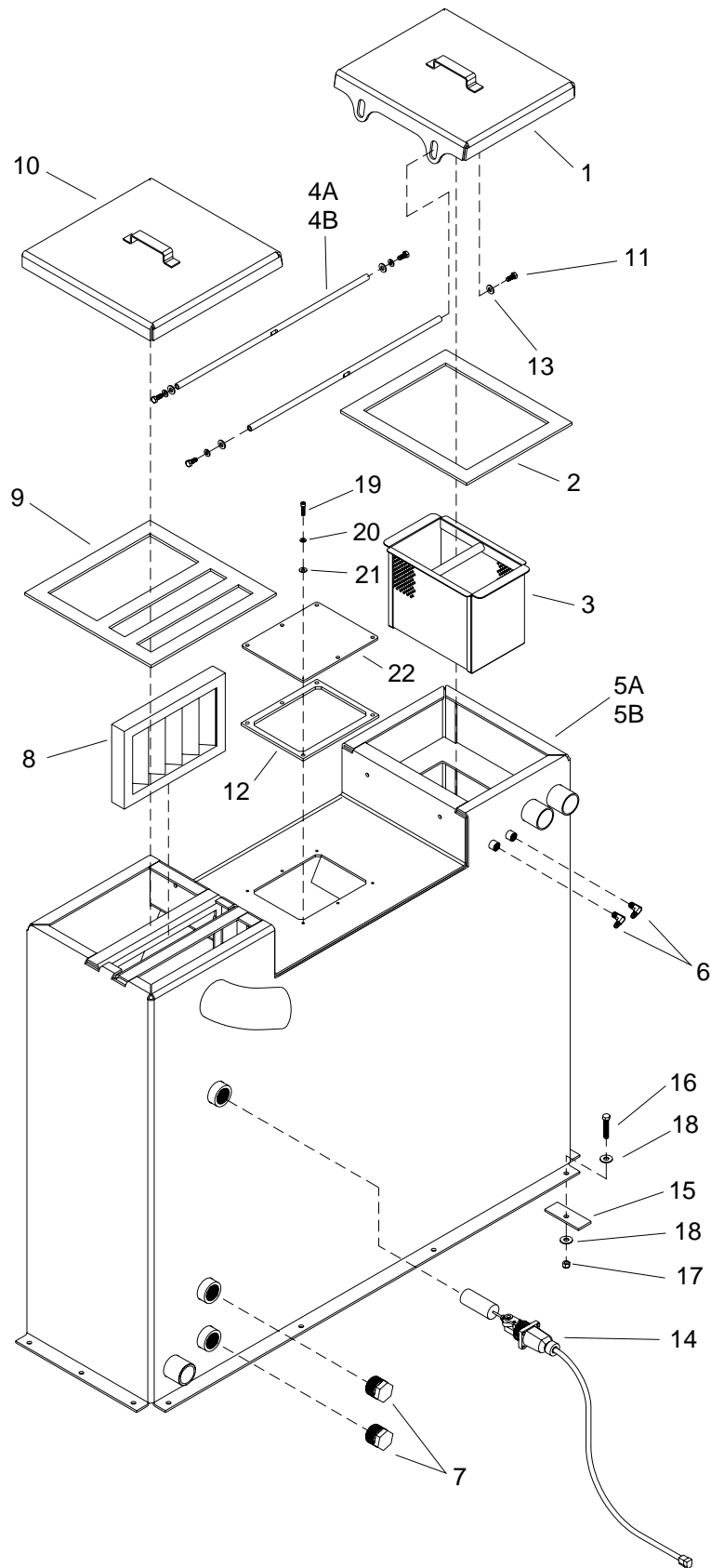
PRESSURE REGULATOR



PRESSURE REGULATOR

REF	PART NO.	QTY	DESCRIPTION	SERIAL NO. FROM	NOTES:
1	12-800347	1	ELL, 3/8P X 1/2T 45 DEG BR		
2	790067	1	REG. PRESS CAT #7670AWI		
3	03-000246	1	CLAMP, HOSE #8 SST		
4	12-800345	1	FTTG, BRB 3/8P X 5/8H BR		
5	11-800275	1	ELL, ST 3/8 BR		
6	12-800282	1	CONN, 3/8P X 1/2T BR		
7	11-800224	1	PLUG, 3/8 SOCHD BR		
8	11-800429	1	NIP, HEX 3/8 SST		
9	11-800118	1	BUSH, 3/8X1/8 BR		
10	11-800069	1	PLUG, 1/2 SOCHD BR		
11	790901	1	MNFLD, PRESS		
12	31098	1	ELL, STREET 1/2 BR FORGED		
13	790106	1	ACCUMULATOR, 250PSI CAT 6026		
14	02-000066	2	FLATWASHER, 1/4		
15	87162	2	WASHER, 1/4 SPLIT LOCK		
16	00-000286	2	SCR, CAP 1/4-20 X 2.75 HXHD		
17	12-800040	1	EL, 1/8P X 1/4T BR		

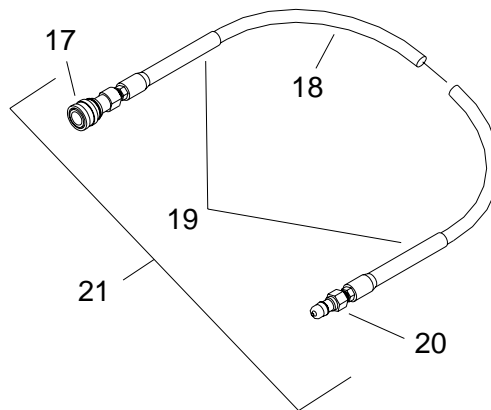
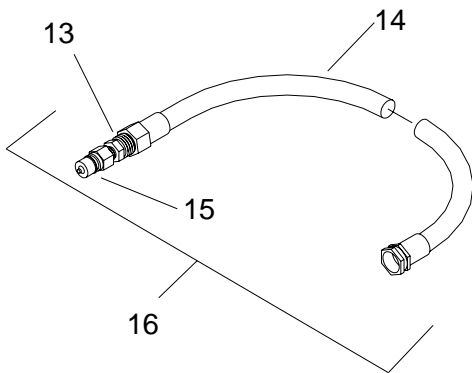
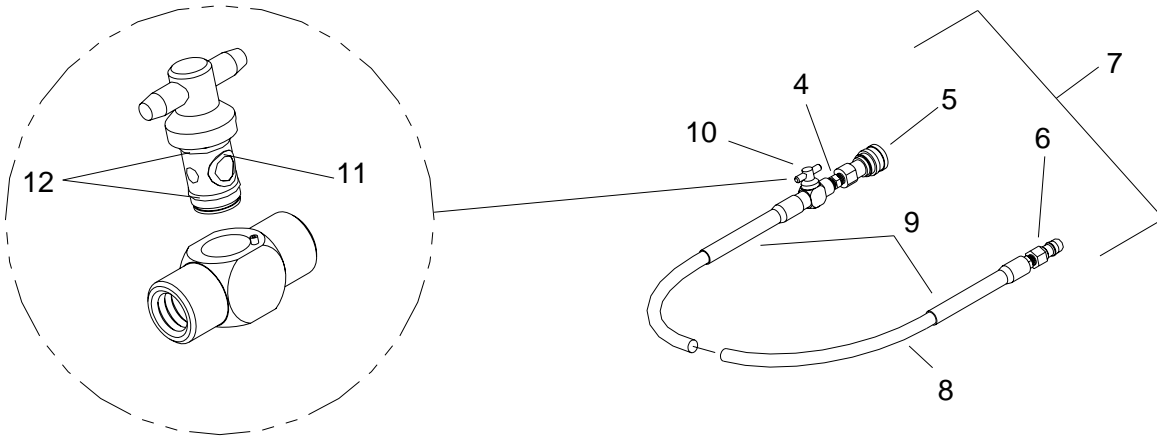
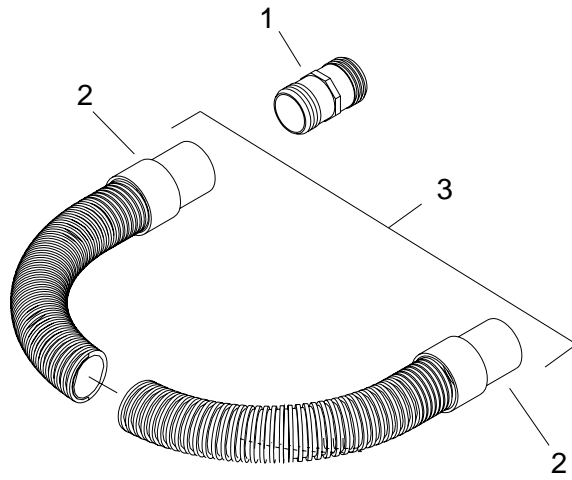
WASTE TANK – 80 GALLON



WASTE TANK – 80 GALLON

REF	PART NO.	QTY	DESCRIPTION	SERIAL NO. FROM	NOTES:
1	790125	1	LID, STRAINER, WST TNK		
2	790448	1	GASKET, WASTE TANK		
3	56-501793	1	STRAINER BOWL		
4A	790475	2	ROD, WST TNK LID SST, 100 GAL		
4B	790514	2	RD, LID, ST TNK SST, 80 GAL		
5A	790470*	1	TNK, WASTE, 100 GAL		
5B	790509*	1	TNK, WST, 80 GAL		
6	12-800031	2	ELL, 1/4P X 1/4T BR		
7	11-800402	2	PLUG, 1-1/4 HXHD PVC		
8	14-806569	1	STRNR, WST TNK RECT. 1.5"		
9	790351	1	GASKET, WASTE TANK		
10	790124	1	LID, FILTER, WST TANK		
11	70432	4	SCR, 5/16-24 X 3/4 HHCS SS		
12	43-807574	1	GSKT, ACCESS PNL-WST TNK		
13	87029	4	WASHER, 5/16 FLAT SS		
14	791066	1	SWITCH, FLOAT, N.C. HARWIL		
15	62986	4	PLATE TRUCKMOUNT		
16	00-000072	10	SCR, 3/8-16 X 2" HXHD		
17	57119	10	NUT, 3/8-16 HEX NYLOCK		
18	87171	21	WASHER, 3/8 FLAT		
19	70018	6	SCR, CAP 1/4-20 X 1 HHCS SS		
20	87162	6	WASHER, 1/4 SPLIT LOCK		
21	02-000066	6	FLATWASHER, 1/4		
22	50-502085	1	PNL, ACCESS-WST TNK		

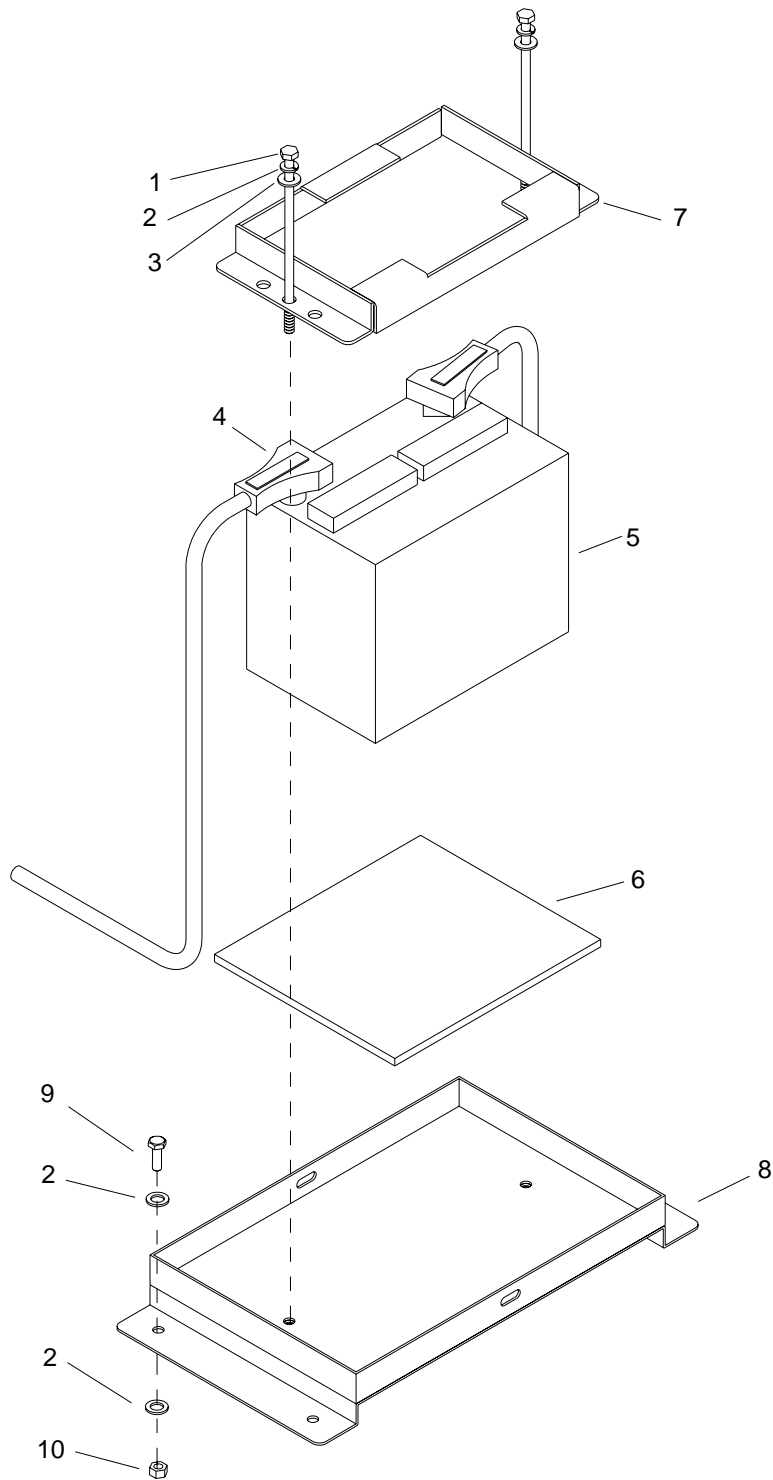
HOSE ACCESSORIES



HOSE ACCESSORIES

REF	PART NO.	QTY	DESCRIPTION	SERIAL NO. FROM	NOTES:
1	12-800078	1	FITTING, BRB 2H BS PVC		
2	08-805147	2	CUFF, 2"		
3	10-805060	1	HOSE, VAC 2"X50' W/ CUFFS & HOSE		
4	56015	1	NIPPLE, 1/4 HEX		
5	22015	1	COUPLER, 1/4 QD		
6	56012	1	NIPPLE, 1/4 FPT QD		
7	10-805108	1	HOSE, HP 1/4 X 50FT W/QD & VLVE		
8	10-805077	1	HOSE, HP 1/4 X 50'		
9	08-805155	2	GUARD, HOSE VINYL		
10	15-808012	1	VALVE, BALL 1/4FP		
11	43-810014	2	O-RING, 7/32ID X 11/32OD		
12	43-810019	2	O-RING, 3/8 ID X 1/2 OD		
13	11-800354	1	NIP, 1/2 X 3/8 HEX BR		
14	10-805157	1	HOSE, WATER 1/2 X 50'		
15	13-806009	1	DISCONNECT 3/8M X 3/8FP		
16	10-805295	1	HOSE, WATER 1/2 X 50'		
17	22015	1	COUPLER, 1/4 QD		
18	10-805077	1	HOSE, HP 1/4 X 50'		
19	08-805155	2	GUARD, HOSE VINYL		
20	56012	1	NIPPLE, 1/4 FPT QD		
21	10-805122	1	HOSE, HP 1/4 X 50FT W/QD		

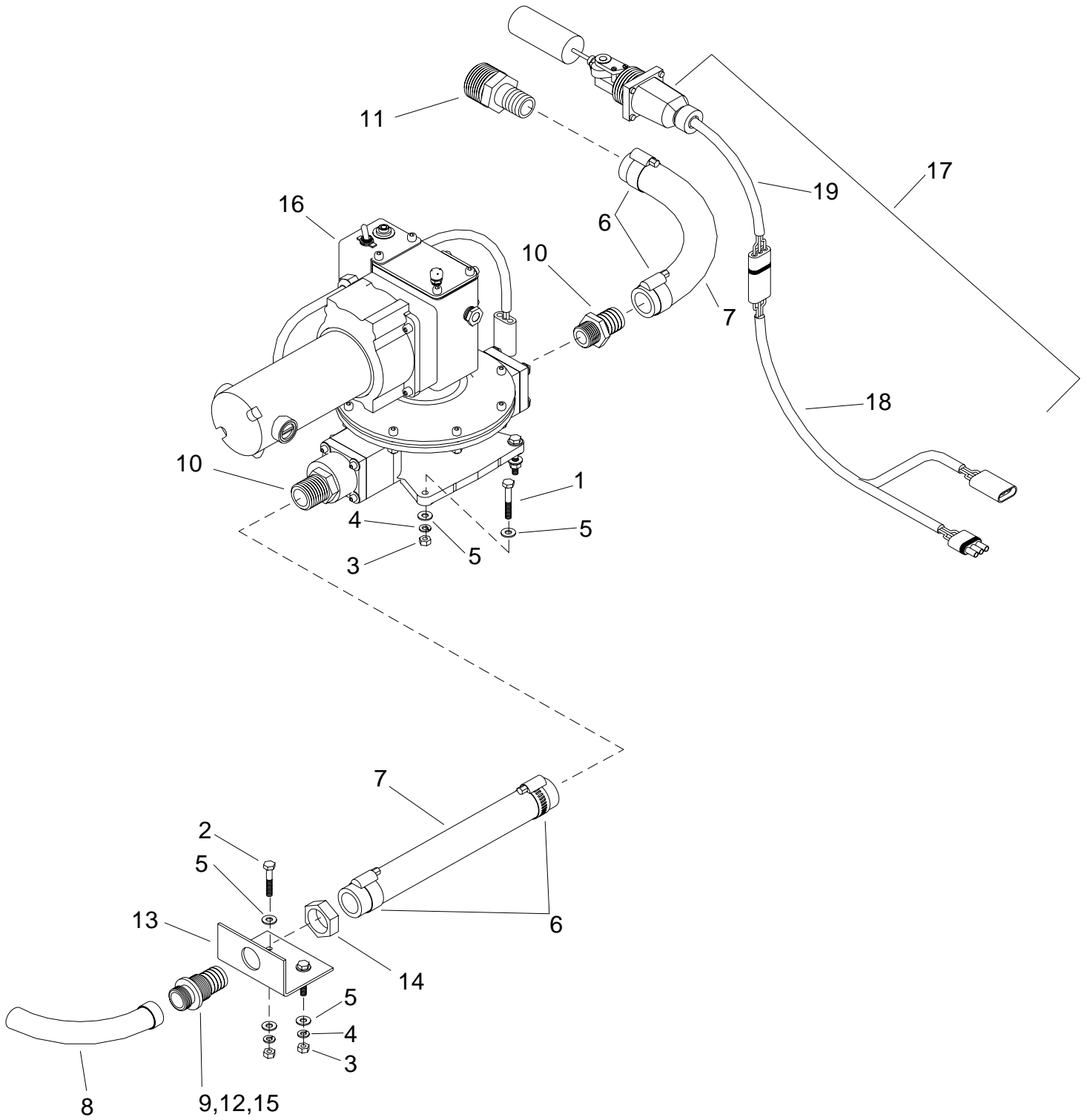
BATTERY-FLOOR MOUNT



BATTERY-FLOOR MOUNT

REF	PART NO.	QTY	DESCRIPTION	SERIAL NO. FROM	NOTES:
1	00-000167	2	SCR, 1/4-20 X 6" HXHD		
2	87162	2	WASHER, 1/4 SPLIT LOCK		
3	02-000066	10	FLATWASHER, 1/4		
4	31-900179	1	COVER, BATTERY TERMINAL		
5	36-900056	1	BATTERY		
6	47-700007	1	SHIELD, BAT MT HT		
7	56-500188	1	COVER, BATTERY		
8	56-502049	1	TRAY, BAT FLOOR MT		
9	00-000132	4	SCR, 1/4-20 X 1-1/2 HXHD		
10	57006	4	NUT, 1/4-20 HEX		

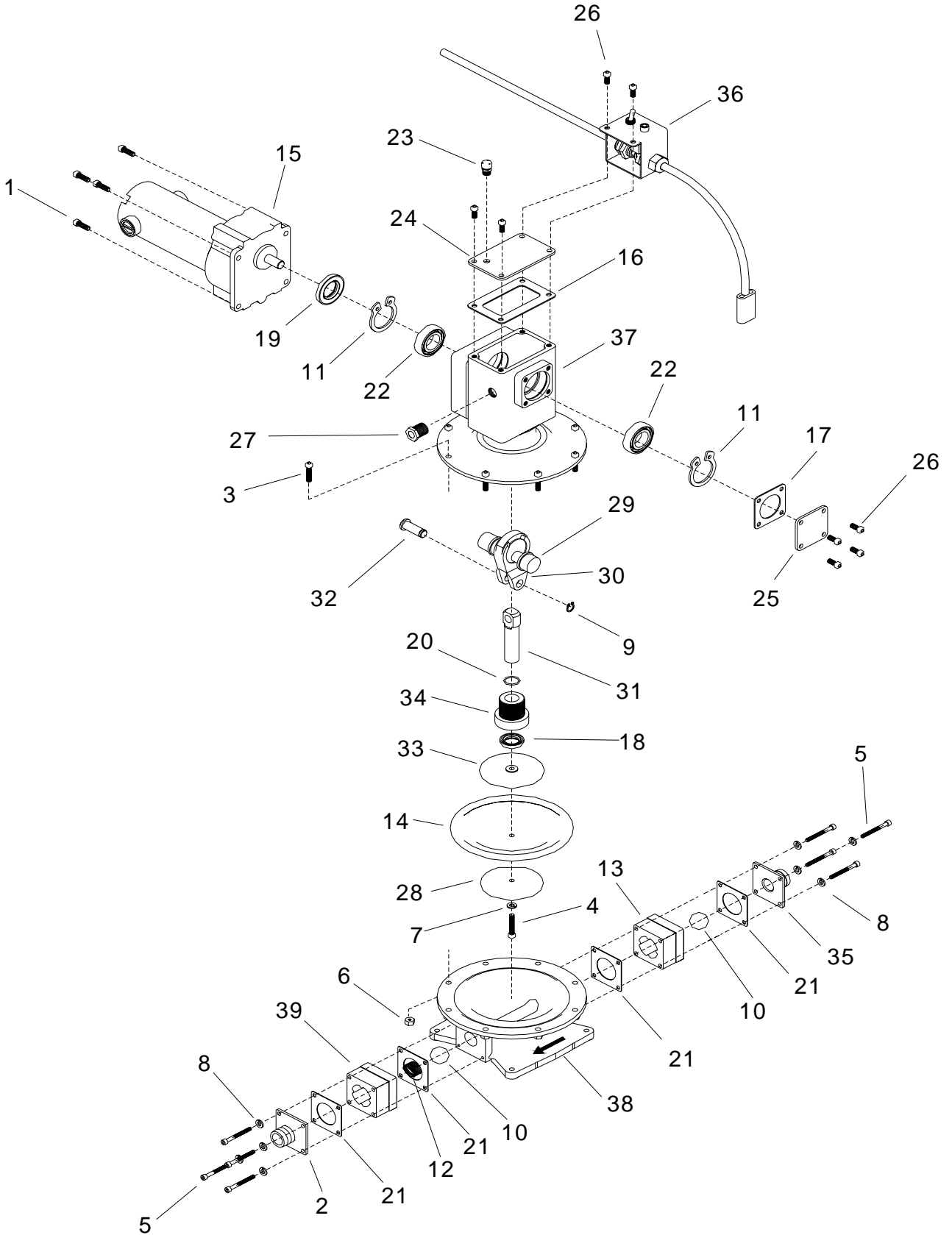
AUTOMATIC PUMPOUT-OPTIONAL



AUTOMATIC PUMPOUT-OPTIONAL

REF	PART NO.	QTY	DESCRIPTION	SERIAL NO. FROM	NOTES:
1	70105	4	SCR, M4 X 60 PH		
2	00-000132	2	SCR, 1/4-20 X 1/ 1/2 HXHD		
3	57006	4	NUT, 1/4-20 HEX		
4	87162	4	WASHER, 1/4 SPLIT LOCK PLTD		
5	02-000066	4	FLATWASHER, 1/4		
6	03-000176	4	CLAMP, HOSE #16		
7	09-805591	1	HOSE, WASTE PUMP 1" X 8'		
8	10-805484	1	HOSE, GARDEN 3/4 X 75'		
9	12-800052	1	CAP, HOSE 3/4 BR		
10	12-800367	1	FTTG, BRB 1PX1H BR		
11	12-800444	1	FTTG, 1-1/4P X 1" H BR		
12	43-807008	1	WASHER, HOSE 5/8 ID 1" OD		
13	50-502055	1	BRKT, CTR HOOD FR		
14	52-000123	1	NUT, 1-3/16-12 UN HXHD		
15	52-501993	1	CONN, HOSE WATER OUTL		
16	61-951306	1	PUMP, HD AUTO		
17	61-951319	1	ASSY, LVL SENS SHUT OFF SW		
18	23719	1	CORD ASM, CNCTN SIDE		
19	72185	1	SWITCH ASSEMBLY		

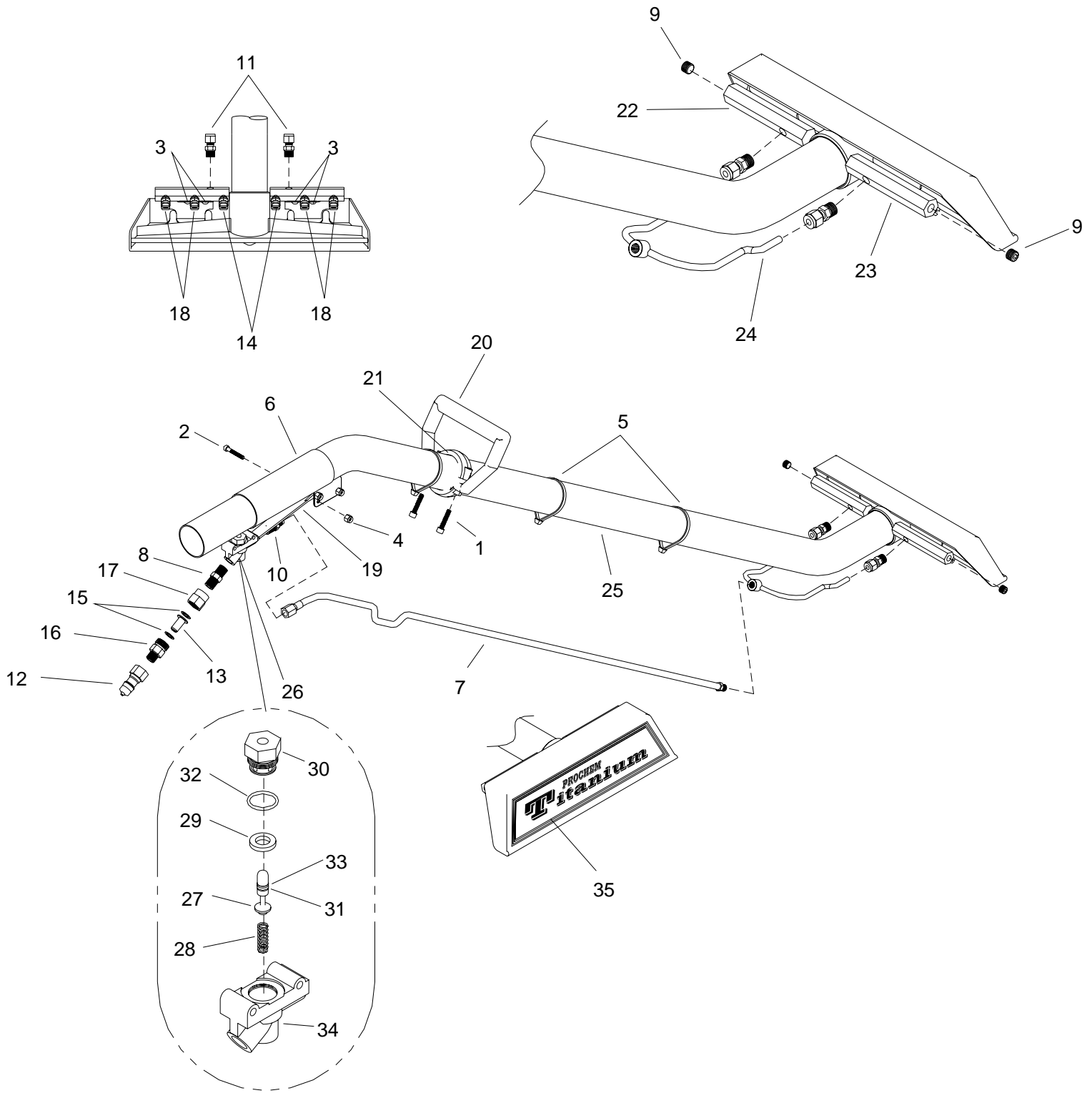
AUTOMATIC PUMPOUT-OPTIONAL



AUTOMATIC PUMPOUT-OPTIONAL

REF	PART NO.	QTY	DESCRIPTION	SERIAL NO. FROM	NOTES:
1	00-000210	4	SCR, 1/4-20 X 3/4 SOCHD		
2	52-502064	1	CVR, OUTLET WST PMP-OUT		
3	00-000312	8	SCR, CAP 1/4 X 1 SOCHD		
4	00-000399	1	SCR, CAP 1/4 X 1 3/8 SOC		
5	00-000241	8	SCR, CAP 10-32 X 2 SOCHD SS		
6	57245	8	NUT, 1/4-20 HEX NYLOCK SS		
7	87162	1	WASHER, 1/4 SPLIT LOCK		
8	87165	8	WASHER, #10 SPLIT LOCK		
9	04-000312	1	RING, RETAIN EXT 1/2		
10	04-000334	2	BALL, NYL ID		
11	04-000335	2	RING, SNAP 1-7/8D		
12	04-000342	1	SPRING, PUMP-OUT BALL PRESS		
13	52-502061	1	BDY, INLET WST PMP-OUT		
14	16-808241	1	DIAPH, WST TNK PMP-OUT		
15	40-902151	1	MOTOR, 1/8HP 12V		
16	43-807117	1	GSKT, CVR TOP PMPOUT		
17	43-807118	1	GSKT, CVR SD PMPOUT		
18	43-810091	1	SEAL, PUMPOUT SHFT		
19	43-810100	1	SEAL PUMPOUT CAM		
20	43-810101	1	O-RING, 800/1000 .072		
21	43-807116	4	GSKT, IN/OUTLT WST TNK - PM		
22	45-801927	4	BRG, SHFT PUMP-OUT		
23	49-876301	1	VENT, UPR SHFT BRNG HSG		
24	50-502025	1	PL, CVR TOP PUMP-OUT		
25	50-502026	1	PL, CVR SD PUMP-OUT		
26	70094	8	SCR, 1/4-20 X 1/2 SHCS SS		
27	11-800504	1	GA, FLOW SIGHT 3/8 NPT		
28	52-501828	1	BTM, PLNGR WST TNK PMP-OUT		
29	52-501829	1	SHFT, 3/4" STROKE WST TNK		
30	52-501914	1	RD, CONNECT WST PMP-OUT		PART OF 31
31	52-501915	1	GUIDE, PLNGR WST PUMP-OUT		INCL. 32, 18, 30
32	52-501921	1	PIN, WRIST PUMP-OUT		
33	52-501934	1	TOP, PLNGR PUMP-OUT		
34	52-501950	1	BUSH, THREADED		
35	52-502062	1	CVR, INLET WST PMP-OUT		
36	56-502428	1	BRKT, PMP-OUT SW/CCT BRKR		
37	52-501821	1	TOP, WST TNK PUMP-OUT		
38	52-501820	1	BASE, WST TANK PMP-OUT		
39	52-502063	1	BDY, INLET WST PMP-OUT		

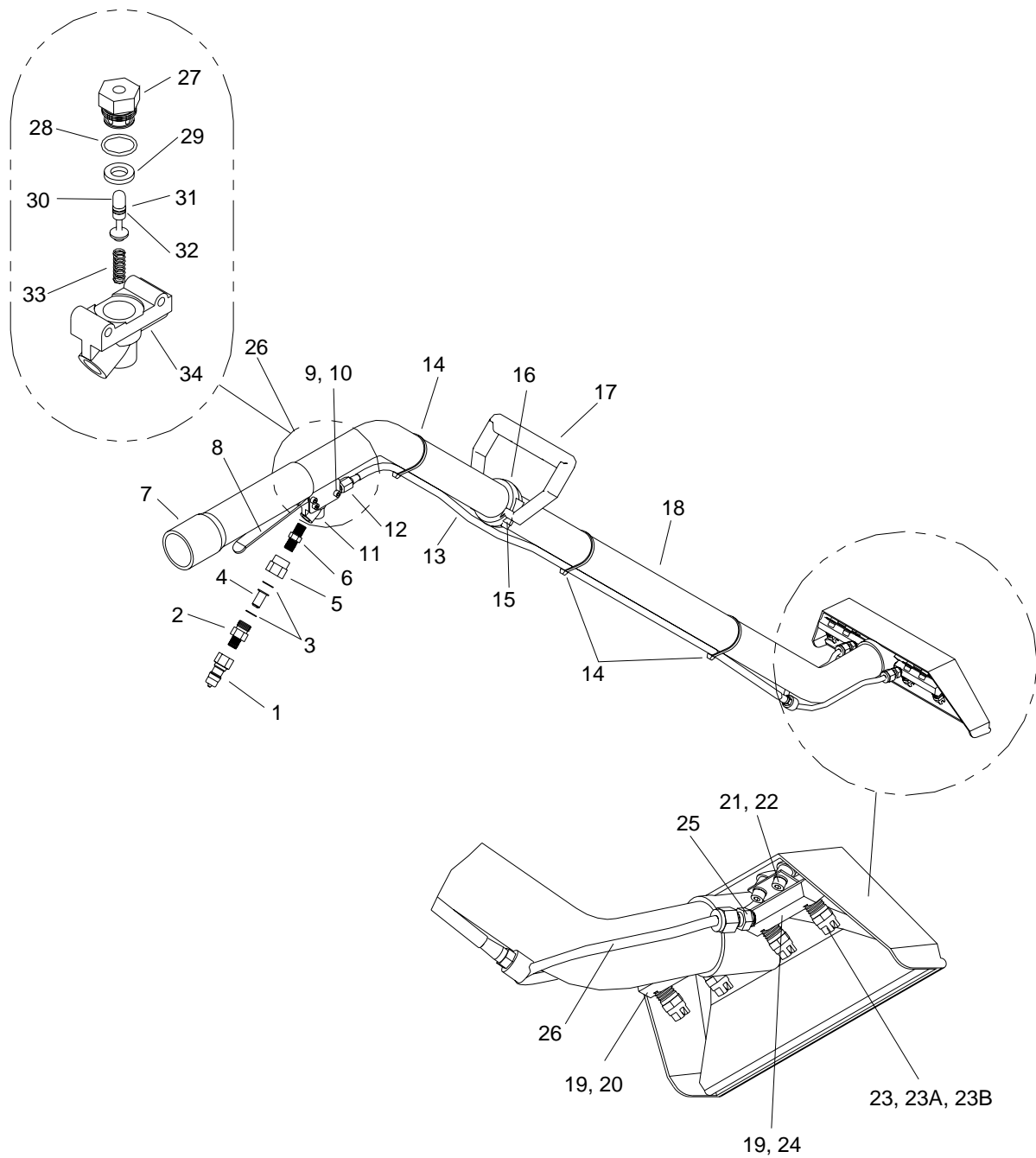
WAND-TITANIUM SIX JET-OPTIONAL



WAND-TITANIUM SIX JET-OPTIONAL

REF	PART NO.	DESCRIPTION	SERIAL NO. FROM	NOTES:
1	00-000282	SCR, CAP 1/4-20 X 1 1/4 SOC		
2	00-000317	SCR, CAP 10-32 X 1 1/4 SOCH		
3	70228	SCR, 10-32 X 1/4 PPHMS SS		
4	57090	NUT, 10-32 HEX NYLOCK SS		
5	04-000093	TIE, CABLE 13"		
6	09-805603	HOSE, INT VAC 4-1/2 X 48		
7	10-805504	HOSE, 3/16 X 44-1/2		
8	56015	NIPPLE, 1/4 HEX		
9	11-800206	PLUG, 1/8 SOCHD BR		
10	12-800060	CONN, 1/4P X 1/4T BR		
11	12-800322	CONN, 1/8P X 1/4T COMP BR		
12	56012	NIPPLE, 1/4 FPT QD		
13	14-806512	STRAINER, JET 50 MESH		
14	17-803018	TIP, SPRAY 9501 X 1/8P SST		
15	17-803006	WASHER, NYLON		
16	17-803010	CONN, 1/4P X 11/16-16M		
17	17-803036	CONN, 1/4FP X 11/16-16F BR		
18	17-803078	TIP, SPRAY 8001 SST 1/8 VJET		
19	52-501619	TRIGGER, WD VALVE		
20	52-502008BK	BODY, WD HDL, 2" TB, BK		
21	52-502009	HOLD DN-WD HDL 2" TUBE		
22	52-502057	MANFOLD, LEFT		
23	52-502058	MANIFOLD, RIGHT		
24	56-502548	ASSY, MNFLD S-BEND		
25	56-502534	WD & HD TITANIUM		
26	61-950496	ASSY, EXTRACTOR VALVE		
27	16-808189	STEM, EXTRACTOR VALVE		
28	16-808190	SPRING, EXTRACTOR VALVE		
29	16-808228	SEAT, EXTRACTOR VALVE		
30	16-808229	HLDR, VLV STEM-EXTRACTOR VL		
31	43-810062	O-RING, .114 ID .254OD		
32	43-810063	O-RING, .551ID .691OD		
33	43-810064	BACK-UP, .250DIA		
34	52-501590	BDY, EXTRACTOR VLV		
35	48-941462	DEC, WD HD TITANIUM		
-	48-941296	BLB, INSPECTION QC (PINK)		

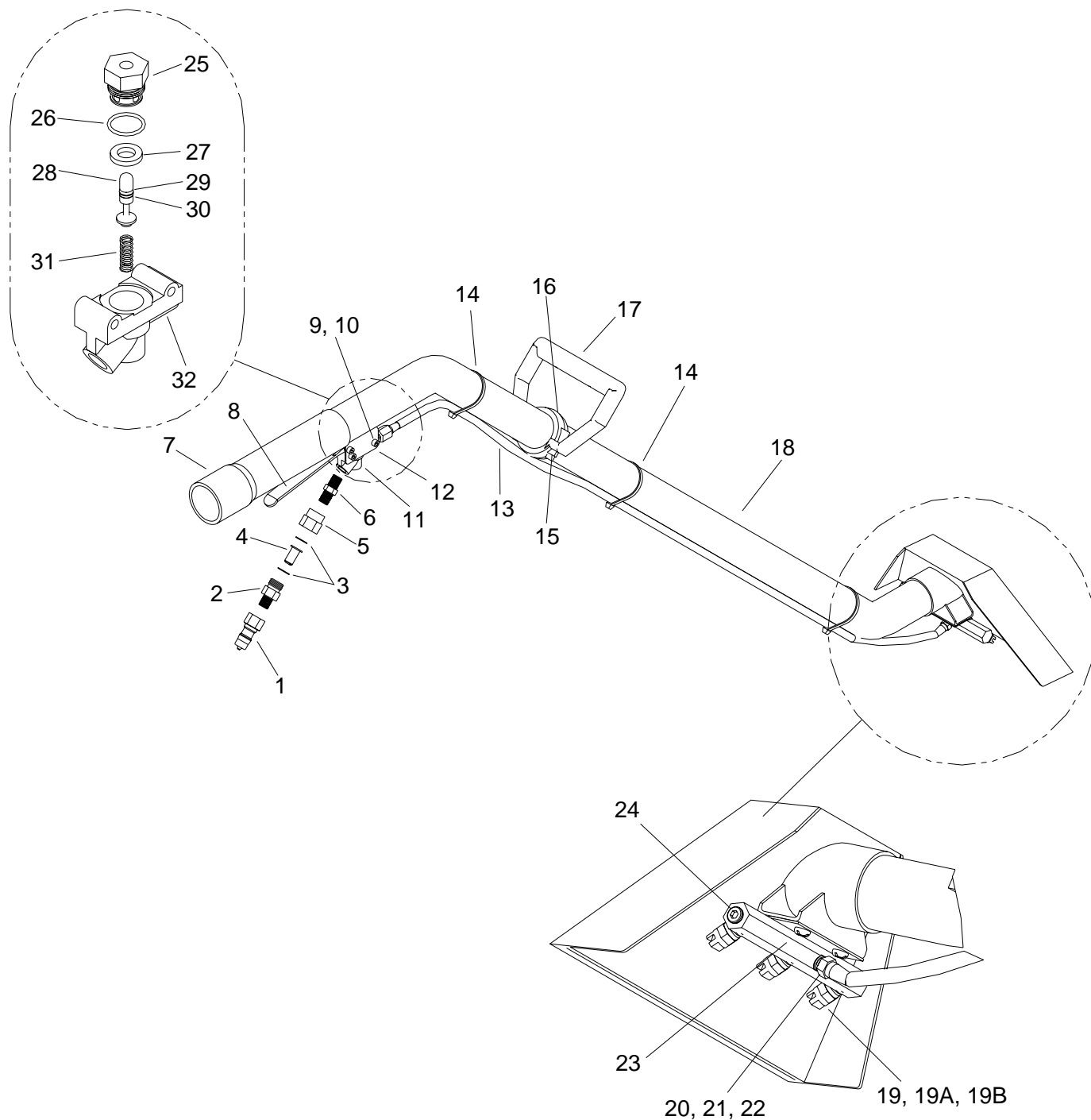
WAND-QUAD-JET-OPTIONAL



WAND-QUAD-JET-OPTIONALL

REF	PART NO.	DESCRIPTION	SERIAL NO. FROM	NOTES:
-	89238	WAND, TM, QJW (95015) PC		COMPLETE
-	89239	WAND, TM, QJW (9502) PC		COMPLETE
-	89237	WAND, TM QJW (9501) PC		COMPLETE
-	89235	WAND, TM, QJW, (9501) NO DECAL		COMPLETE
1	56012	NIPPLE, 1/4 FPT QD		
2	17-503010	CONN, 1/4P X 11/16-16M		
3	17-803006	WASHER, NYLON		
4	14-806512	STRAINER, JET 50 MESH		
5	17-803036	CONN, 1/4FP,11/16-16R BR		
6	56015	NIPPLE, 1/4 HEX		
7	09-805359	SLEEVE, WD HDL 9.5		
8	52-501619	TRIGGER, WD VLV		
9	00-000317	SCR, CAP 10-32X 1-1/4 SOCH		
10	57090	NUT, 10-32 HEX NYLOCK SS		
11	61-950496	ASSY, EXTRCTR VLV		
12	12-800060	CONN, 1/4P X 1/4T BR		
13	10-805387	HOSE, 3/16 X 43-1/2 (1/8P X 1/4)		
14	04-000053	TIE, CABLE 8" WHT		
15	00-000282	SCR, CAP 1/4-20 X 1-1/4 SOC		
16	52-501569	HOLD DOWN, WD HDL		
17	52-501568	BODY, WD HDL		
18	56-501940	WAND & HEAD, CAST SST		
19	11-800206	PLUG, 1/8 SOCHD BR		
20	56-501966	ASSY, L S-BEND MNFLD		
21	00-000347	SCR, CAP 10-24 X1/4 SOCHD		
22	87165	WASHER, #10 SPLIT LOCK		
23	17-803001	TIP, SPRY 95015X1/8P SST		89238
23A	17-803002	TIP, SPRY 9502X1/8P SST		89239
23B	17-803018	TIP, SPRY 9501X1/8P SST		89237 89235 (NO DECAL)
24	56-501986	ASSY, RT S-BEND MNFLD		
25	12-800322	CONN, 1/8PX1/4T COMP BR		
26	56-501967	ASSY, S-BEND MNFLD		
27	16-808229	HOLDER, VLV STEM-EXTRCTR VL		
28	43-810063	O-RING, .551 ID .691 OD		
29	16-808228	SEAT, EXTRCTR VLV		
30	16-808189	STEM, EXTRCTR VLV		
31	43-810064	BACK-UP, .250 DIA		
32	43-810062	O-RING, .144 ID .254 OD		
33	16-808190	SPRING, EXTRCTR VLV		
34	52-501590	BODY, EXTRCTR VLV		
-	48-941186	DECAL, WD HD (CAST SS)		NOT SHOWN
-	66-808169	KIT, REP-WD VLV		NOT SHOWN INCLUDES PARTS 27-29 & 31-33

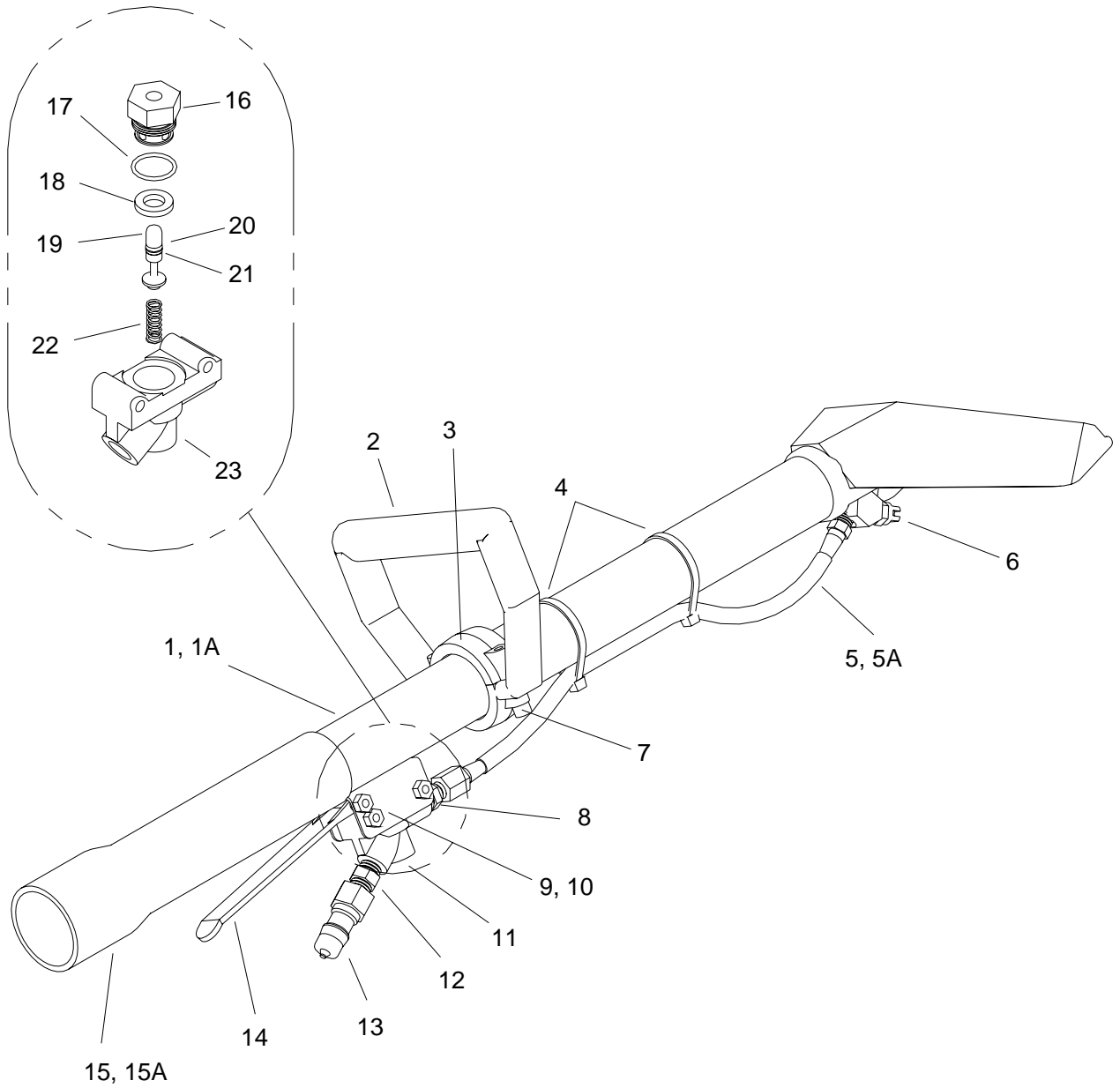
WAND-TRI-JET-OPTIONAL



WAND-TRI-JET-OPTIONAL

REF	PART NO.	DESCRIPTION	SERIAL NO. FROM	NOTES:
-	89233	WAND, TJW (9502) PC		COMPLETE
-	89232	WAND, TJW, (95015) CUBXL		COMPLETE
-	89234	WAND, TJW, (9503) PC		COMPLETE
1	56012	NIPPLE, 1/4 FPT QD		
2	17-503010	CONN, 1/4P X 11/16-16M		
3	17-803006	WASHER, NYLON		
4	14-806512	STRAINER, JET 50MESH		
5	17-803036	CONN, 1/4FP,11/16-16R BR		
6	56015	NIPPLE, 1/4 HEX		
7	09-805359	SLEEVE, WD HDL 9.5		
8	52-501619	TRIGGER, WD VLV		
9	00-000317	SCR, CAP 10-32X 1-1/4 SOCH		
10	57090	NUT, 10-32 HEX NYLOCK SS		
11	61-950496	ASSY, EXTRCTR VLV		
12	12-800060	CONN, 1/4P X 1/4T BR		
13	10-805253	HOSE, 3/16X49 (1/8P X 1/4FT)		
14	04-000053	TIE, CABLE 8" WHT		
15	00-000282	SCR, CAP 1/4-20 X 1-1/4 SOC		
16	52-501569	HOLD DOWN, WD HDL		
17	52-501568	BODY, WD HDL		
18	56-501712	WAND & HEAD, TRI-JET WD		
19	17-803002	TIP, SPRY 9502X1/8P SST		89233
19A	17-803001	TIP, SPRY 9501X1/8P SST		89232
19B	17-803046	TIP, SPRY 9503X1/8P SST		89234
20	70162	SCR, 10-32 X 3/8 PPHMS SS		
21	87165	WASHER, #10 SPLIT LOCK		
22	57014	NUT, 10-32 HEX SS		
23	56-501739	MANIFOLD, WD TRI-JET		
24	11-800206	PLUG, 1/8 SOCHD BR		
25	16-808229	HOLDER, VLV STEM-EXTRCTR VL		
26	43-810063	O-RING, .551 ID .691 OD		
27	16-808228	SEAT, EXTRCTR VLV		
28	16-808189	STEM, EXTRCTR VLV		
29	43-810064	BACK-UP, .250DIA		
30	43-810062	O-RING, .114ID .254OD		
31	16-808190	SPRING, EXTRCTR VLV		
32	52-501590	BODY, EXTRCTR VLV		
-	48-941166	DECAL, WD HD		NOT SHOWN
-	66-808169	KIT, REP-WD VLV		NOT SHOWN INCLUDES PARTS 25-27 & 29-31

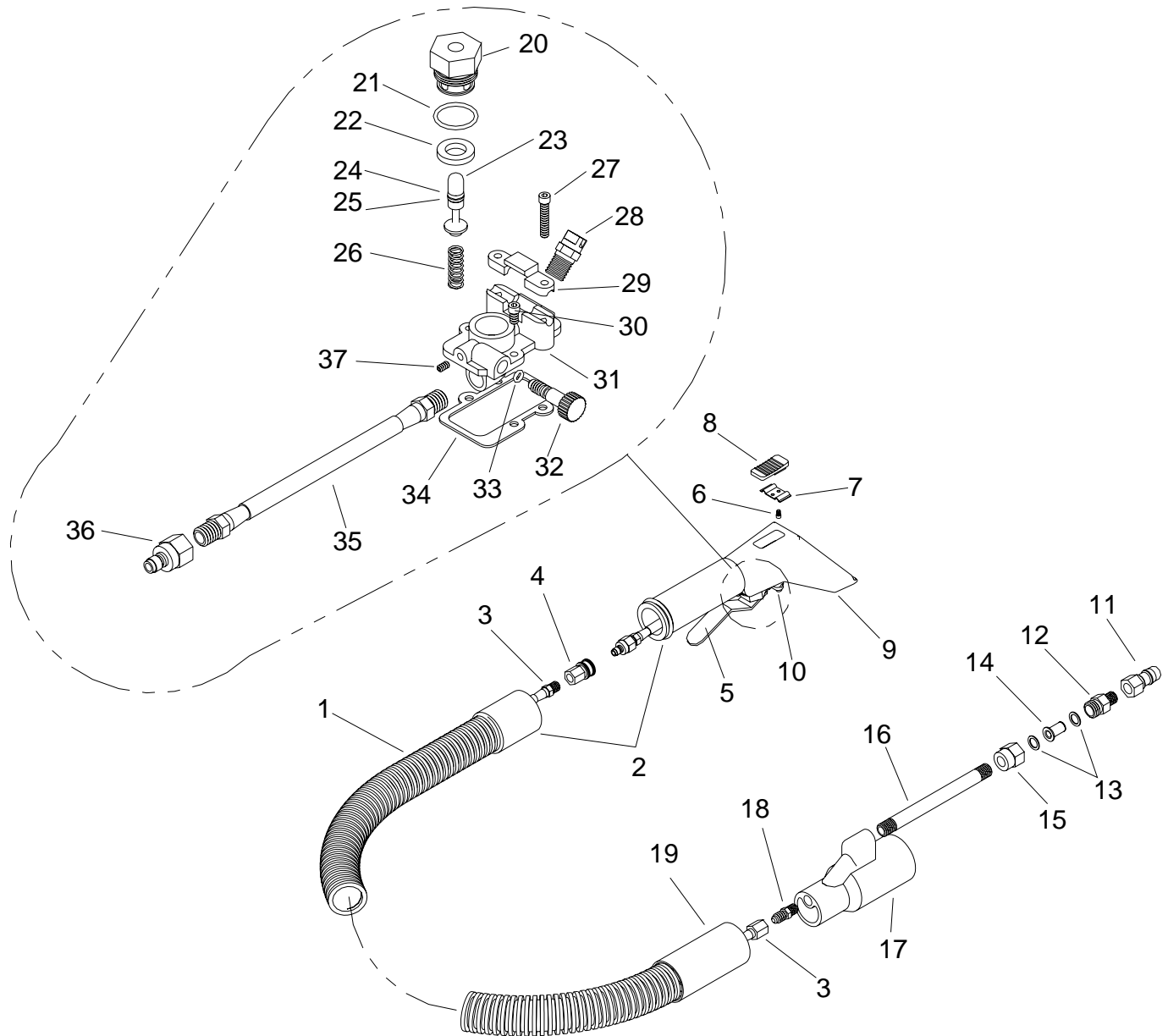
STAIR TOOL-OPTIONAL



STAIR TOOL-OPTIONAL

REF	PART NO.	DESCRIPTION	SERIAL NO. FROM	NOTES:
-	78519	TL, STAIR, LNG, TM DJ (80015)		COMPLETE
-	78521	TL, STAIR, SHT, TM (80015)		COMPLETE
1	56-501715	WAND & HEAD, STAIR TL		
1A	56-501907	WAND & HEAD, SHRT STAIR TL		
2	52-501576	BODY, WD HDL PORT		
3	52-501577	HOLD DOWN, WD HDL PORT		
4	04-000053	TIE, CABLE 8" WHT		
5	10-805330	HOSE, 3/16X13-3/4 (1/8PX1/4)		
5A	10-805397	HOSE, 3/16X7-1/2 (1/8P X 1/4F)		
6	17-803002	TIP, SPRY 9502X1/8P SST		
7	00-000282	SCR, CAP 1/4-20 X 1-1/4 SOC		
8	12-800060	CONN, 1/4P X 1/4T BR		
9	00-000317	SCR, CAP 10-32X1-1/4 SOCH		
10	57090	NUT, 10-32 HEX NYLOCK SS		
11	61-950496	ASSY, EXTRCTR VLV		
12	56015	NIPPLE, 1/4 HEX		
13	56012	NIPPLE, 1/4 FPT QD		
14	52-501619	TRIGGER, WD VLV		
15	09-805359	SLEEVE, WD HDL 9.5		
15A	09-805504	SLEEVE, STAIR TL HDL 7-1/8		
16	16-808229	HOLDER, VLV STEM-EXTRCTR VL		
17	43-810063	O-RING, .551 ID .691 OD		
18	16-808228	SEAT, EXTRCTR VLV		
19	16-808189	STEM, EXTRCTR VLV		
20	43-810064	BACK-UP, .250DIA		
21	43-810062	O-RING, .114 ID .254 OD		
22	16-808190	SPRING, EXTRCTR VLV		
23	52-501590	BODY, EXTRCTR VLV		
-	48-941163	DECAL, STAIR TL		NOT SHOWN
-	66-808169	KIT, REP-WD VLV		NOT SHOWN INCLUDES PARTS 16-19 & 20-22

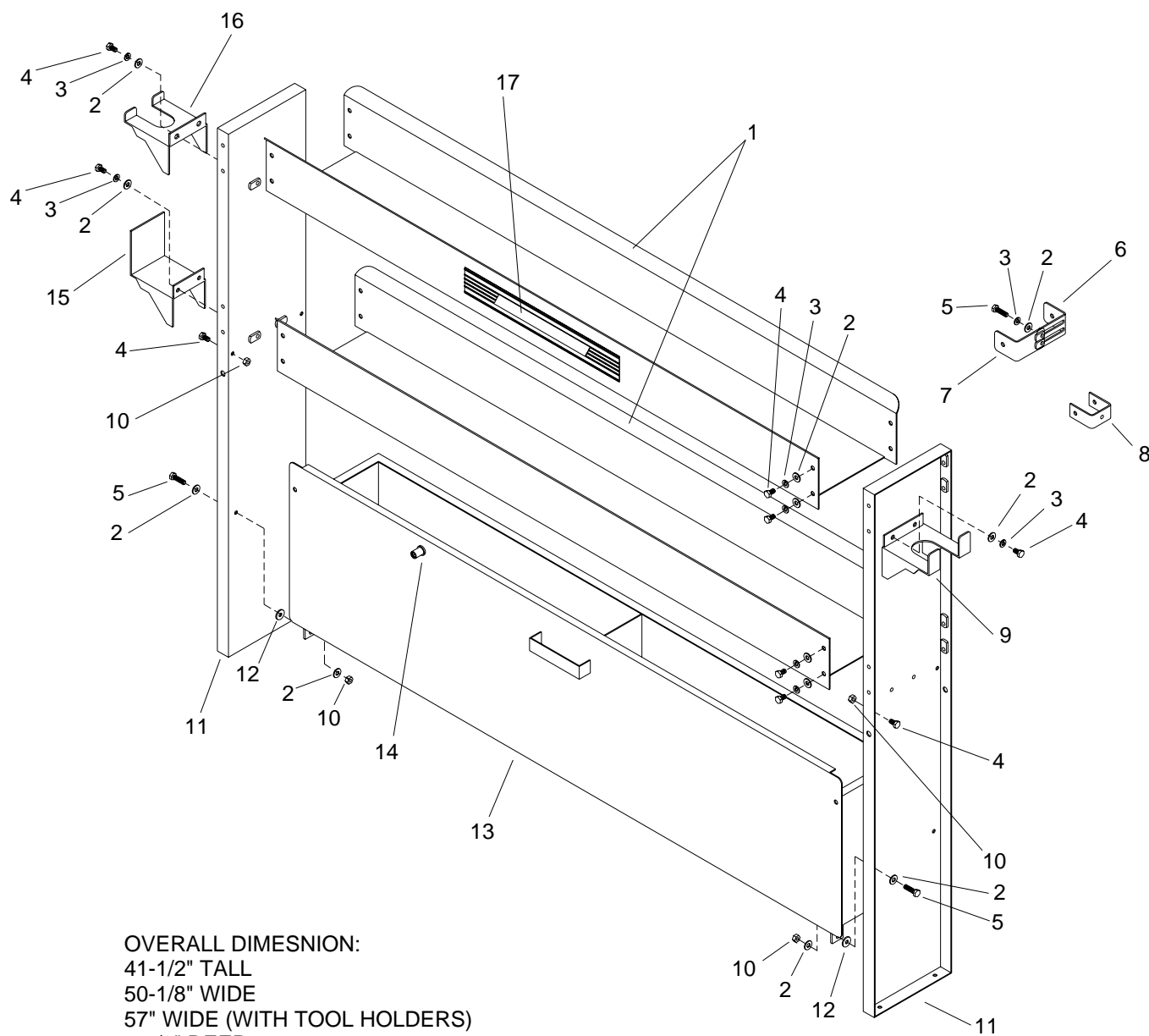
UPHOLSTERY TOOL-OPTIONAL



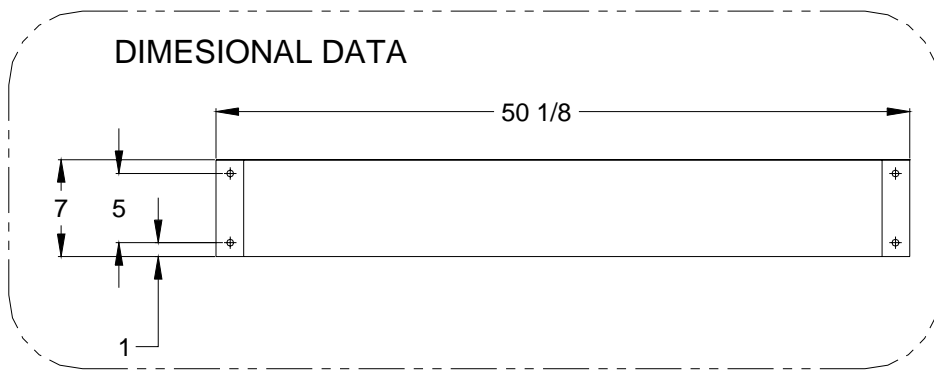
UPHOLSTRY TOOL-OPTIONAL

REF	PART NO.	QTY	DESCRIPTION	SERIAL NO. FROM	NOTES:
-	78513	1	TL, UPHOLST, PC (80015)		COMPLETE
1	09-805131	2	HOSE, VAC 1-1/4X10' BLU		
2	08-805243	1	CUFF, SWIV 1-1/4HX1-1/4T		
3	10-805347	1	HOSE, 3/16X119-1/2 (1/8PX1/4FT)		
4	13-806023	1	DSC, 1/8FC1/8FP SST		
5	58-500639	1	UPHOLSTERY TL TRIGGER		
6	00-000310	1	SCR, CAP 4-40 X7/32 SHCS SS		
7	04-000282	1	SPRING, VAC ADJ BUTT		
8	52-501624	1	BUTTON, VAC ADJ		
9	52-501842	1	TOOL, UPHOLSTERY		
10	61-950570	1	ASSY, UPHLST TL VLV		INCLUDES PARTS 20-26, 28, & 31- 37
11	560012	1	NIPPLE, 1/4 NPT QD		
12	17-803010	1	CONN, 1/4P X 11/16-16M		
13	17-803006	1	WASHER, NYLON		
14	14-806512	1	STRAIRNER, JET 50MESH		
15	17-803036	1	CONN, 1/4FPX11/16-16F BR		
16	11-800404	1	NIP, 1/4X5 SST		
17	52-501585	1	COUPLER, UPHLST TL		
18	12-800065	1	CONN, 1/8P X 1/4T		
19	08-805138	1	CUFF, 1 1/4H X 1 1/2T GRY		
20	16-808229	1	HOLDER, VLV STEM-EXTRCTR VL		
21	43-810063	1	O-RING, .551 ID .691 OD		
22	16-808228	1	SEAT, EXTRCTR VLV		
23	16-808189	1	STEM, EXTRCTR VLV		
24	43-810064	1	BACK-UP, 250DIA		
25	43-810062	1	O-RING, .144 ID .254 OD		
26	16-808190	1	SPRING, EXTRCTR VLV		
27	00-000306	2	SCR, 6-32 X 1 SCHD SS		
28	17-803033	1	TIP, SPRY 80015X1/8P SST		
29	58-500638	1	CSTG, TRIGGER CLMP		
30	00-000307	2	SCR, CAP 6-32X3/8 SOCHD		
31	52-501623	1	VALVE, UPHLST TL		
32	52-501626	1	VALVE, ADJ-UPHLST TL VLV		
33	43-810016	1	O-RING, 5/32IDX9/32OD VIT		
34	43-807513	1	GASKET, UPHLST TL VLV		
35	10-805348	1	HOSE, 3/16X6-1/2 (1/8P BS)		
36	13-806030	1	DSC, 1/8MX1/8FP SST		
37	00-000408	1	SCR, SET 3-32 X 1/4 SOCHD		
-	48-941164	1	DECAL, UPHLST TL		NOT SHOWN
-	66-808169	1	KIT, REPAIR-WAND VLV		NOT SHOWN INCLUDES PARTS 20-22 & 24-26

SHELF ASSEMBLY-OPTIONAL



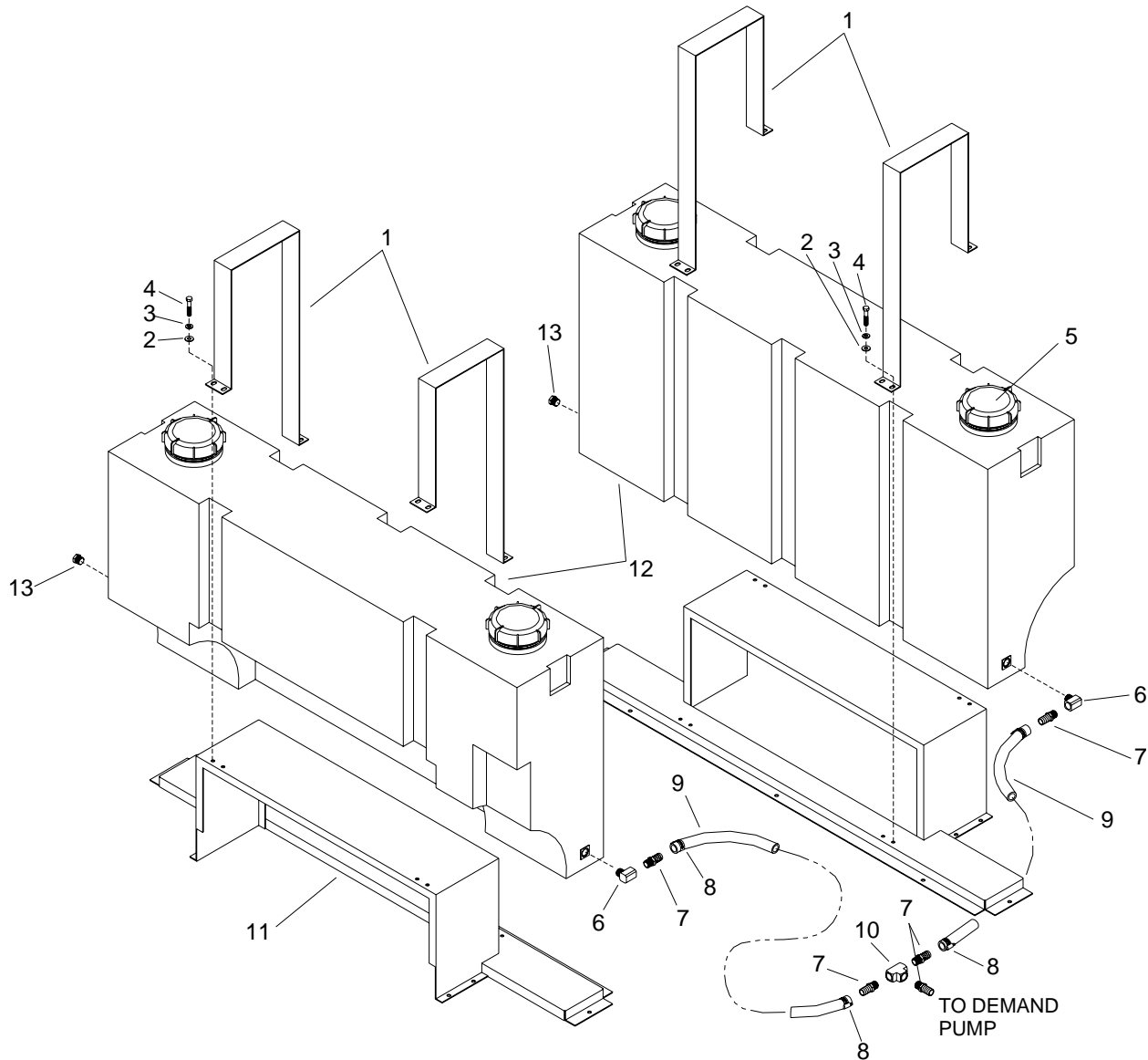
OVERALL DIMENSION:
 41-1/2" TALL
 50-1/8" WIDE
 57" WIDE (WITH TOOL HOLDERS)
 7-7/8" DEEP



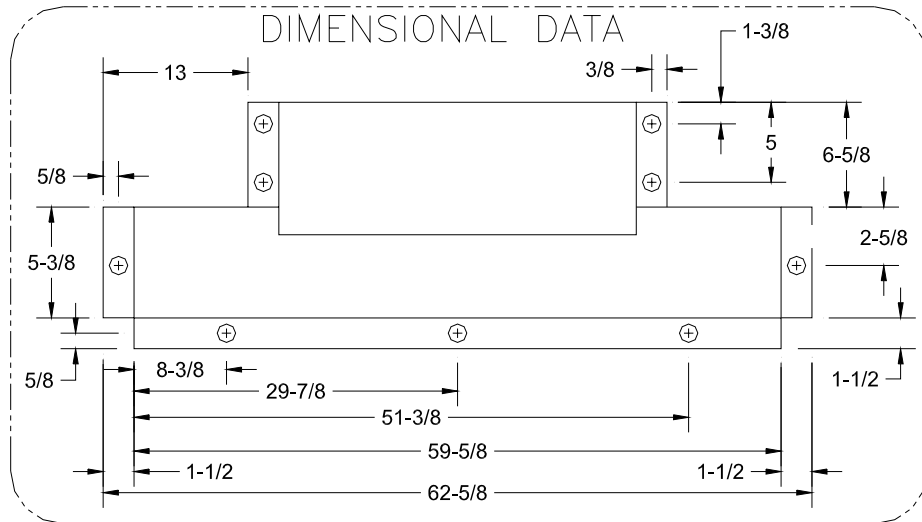
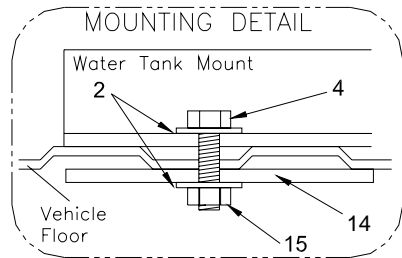
SHELF ASSEMBLY-OPTIONAL

REF	PART NO.	DESCRIPTION	SERIAL NO. FROM	NOTES:
-	65-950392	VAN STORAGE UNIT		COMPLETE
1	56-501921	SHELF, LWR		
2	02-000066	FLATWASHER, 1/4		
3	87162	WASHER, 1/4 SPLIT LOCK		
4	70721	SHOULDER BOLT, 182 OD X 2.25 L		
5	70270	SCR, 1/4-20 X 3/4 HHCS PLTD		
6	50-501840	BRKT, ADJUST MTG SLOT		
7	56-502067	BRKT, ADJUST MTF HLDR		
8	56-501942	BRKT, SHELF MOUNTING		
9	50-501753	HOLDER, STAIR TOOL		
10	01-000105	LOCK NUT, 1/4-20 HXHD		
11	56-501922	PANEL, SHLF END		
12	50-501749	WASHER, NYLON		
13	56-501920	DRAWER, SHELF GRAY		
14	46-802506	LATCH, ADJ GRIP		
15	50-501755	HOLDER, UP TO HOSE		
16	50-501754	HOLDER, UPHST TL		
17	48-941152	DECAL, PROCHEM		
-	66-945424	KIT, ADJ BRKT.		INCLUDES PARTS 6,7 & MOUNTING HARDWARE

WATER TANK, DUAL WITH DEMAND PUMP-OPTIONAL



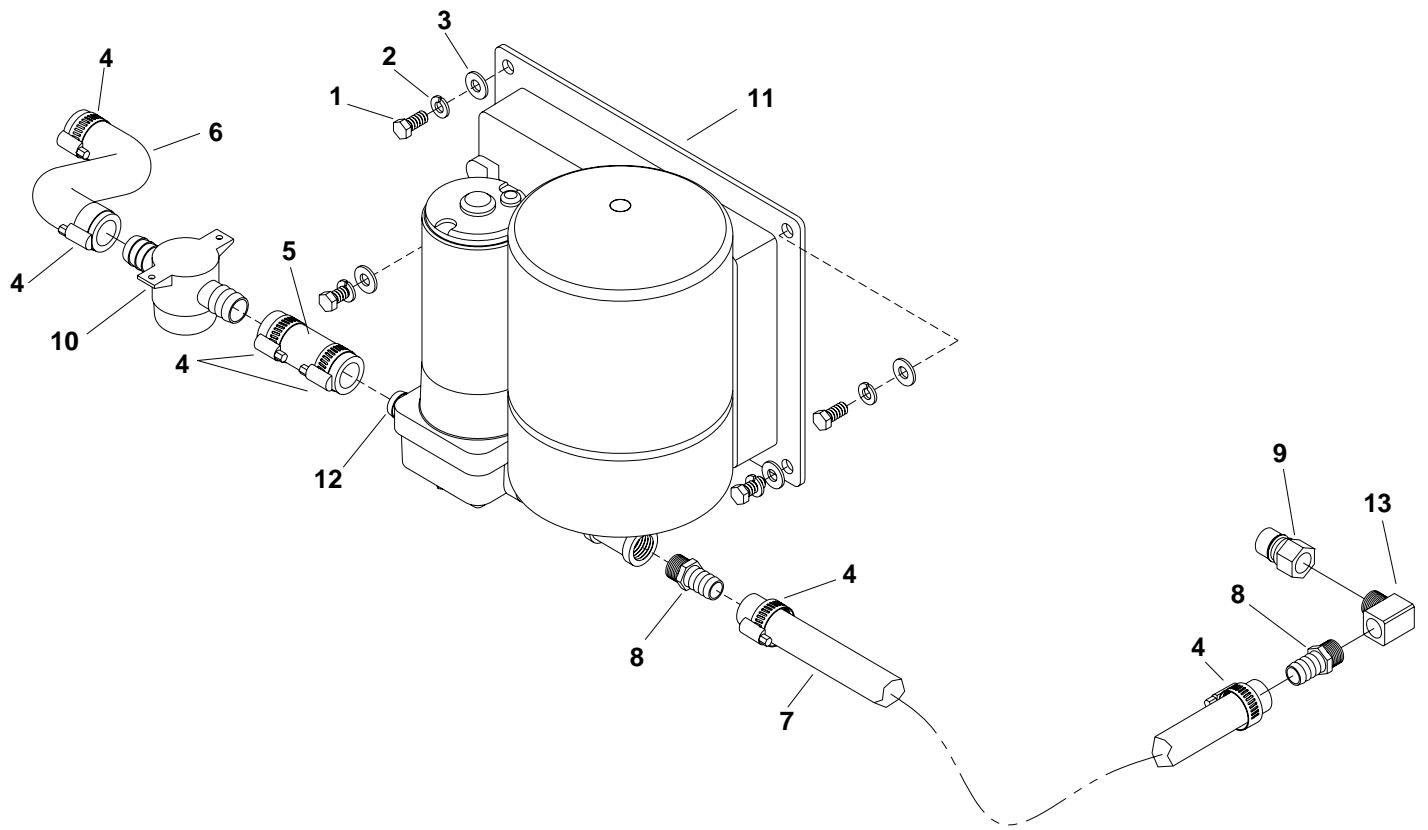
OVERALL DIMENSION:
 32-1/2" TALL
 62-5/8" WIDE
 15-1/2" DEEP



WATER TANK, DUAL WITH DEMAND PUMP-OPTIONAL

REF	PART NO.	QTY	DESCRIPTION	SERIAL NO. FROM	NOTES:
-	66-945260	-	TANK, DUAL SADDLE W/DMD PUMP		COMPLETE
-	66-945265	-	SINGLE SADDLE TANK W/DMND PMP		COMPLETE
1	50-501774	4	HOLD DOWN, SADDLE TANK GRAY		
2	87171	16	WASHER, 3/8 FLAT		
3	87163	16	WASHER 3/8 SPLIT LOCK		
4	00-000072	16	SCR, 3/8-16 X 2' HXHD		
5	11-800432	4	CAP, WATER BOX		
6	11-800041	2	ELL, STREET 1/2 BR		
7	12-800278	4	FTTG, BRB 1/2P X 3/4H BR		
8	03-000113	4	CLAMP, HOSE #12 SST		
9	09-805456	1	HOSE, WTR 3/4 X 96"		
10	11-800085	1	TEE, 1/2 BRASS		
11	56-502000	2	ASSY, BASE SADDLE TANK GRAY		
12	58-500661	2	MOLDING, WATER TANK		
13	11-800168	2	PLUG, 1/2 BRASS HXHD		
14	50-500511	1	PLATE, INSTALL MT		
15	57119	9	NUT, 3/8-16 HEX NYLOCK		
-	41458	1	SHLR, CHEM, 10-GAL JUG		NOT SHOWN

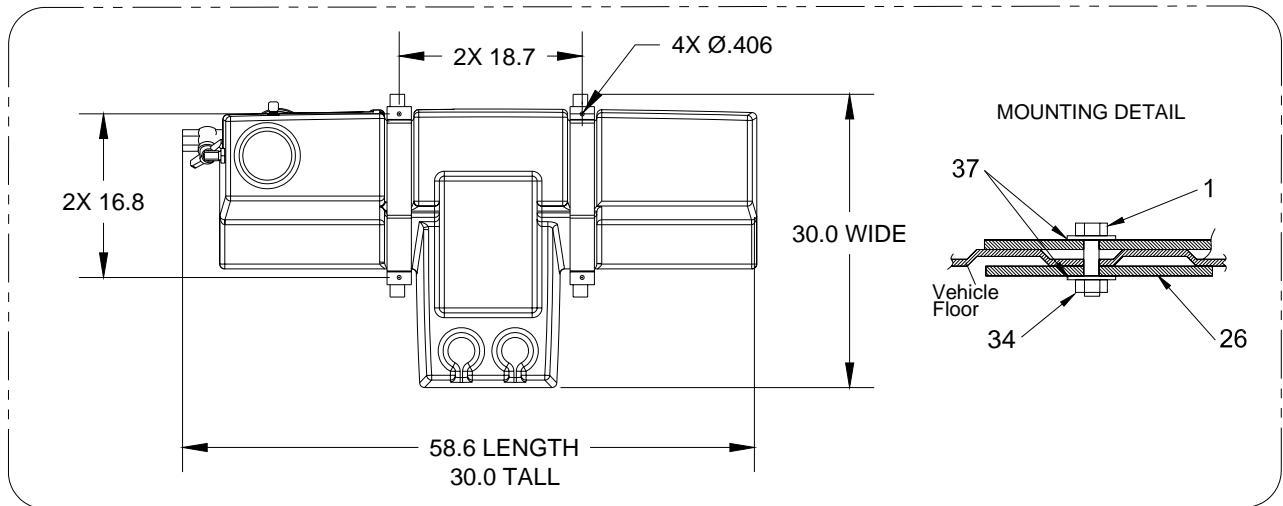
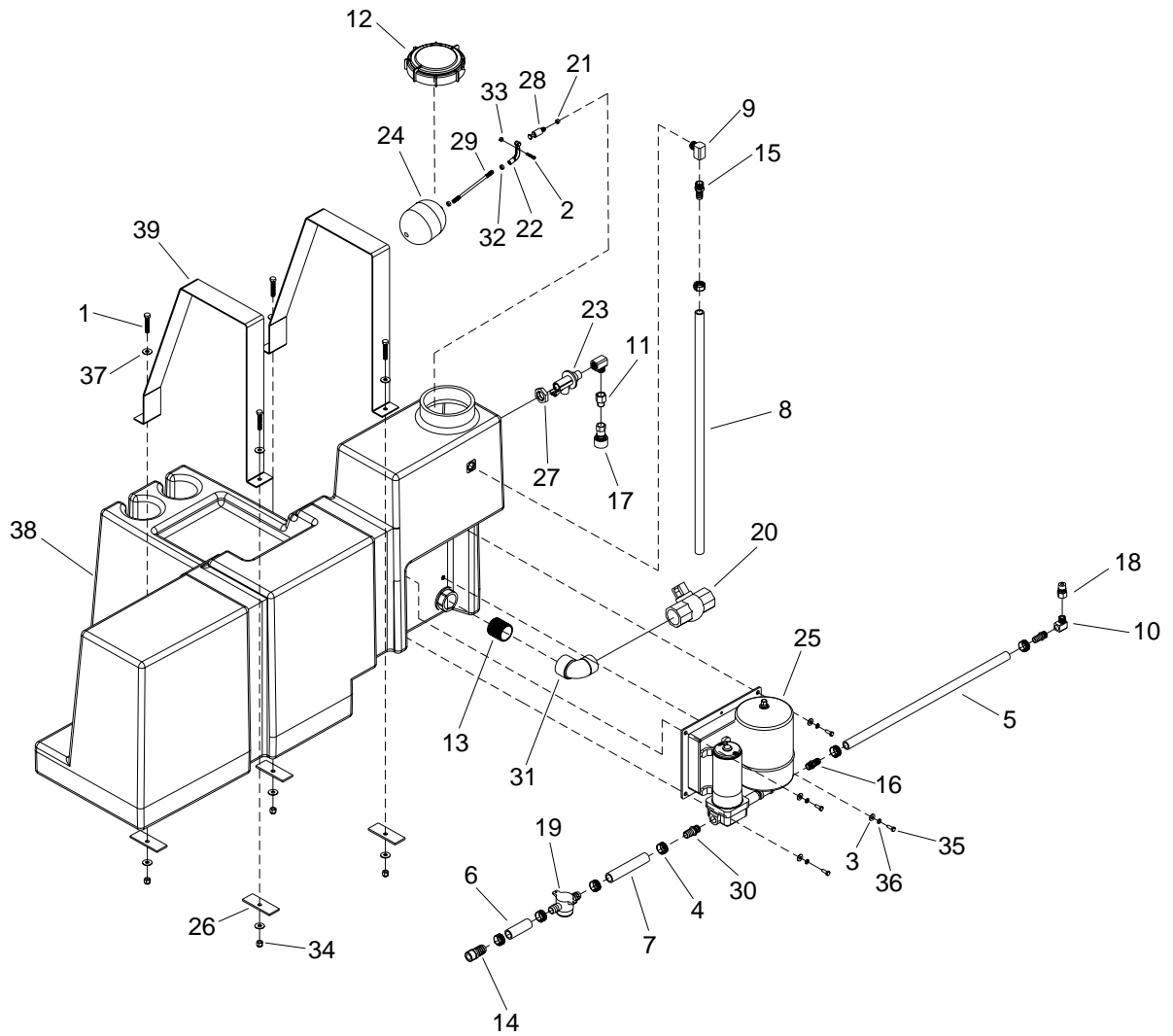
WATER TANK- DEMAND PUMP-OPTIONAL



WATER TANK- DEMAND PUMP-OPTIONAL

REF	PART NO.	QTY	DESCRIPTION	SERIAL NO. FROM	NOTES:
1	70305	4	SCR, 5/16-18 X 3/4 HHCS GR5 PL TDL		
2	87083	4	WASHER, 5/16 SPLIT LOCK PLTD		
3	02-000143	4	WASHER, 5/16 FLAT		
4	03-000113	6	CLAMP, HOSE #12 SST		
5	09-805278	1	HOSE, WATER 3/4 X 3"		
6	09-805357	1	HOSE, WATER .75 X 5.5		
7	09-805446	1	HOSE, WATER 5/8 X 55		
8	12-800345	1	FTTG, BRB 3/8P X 5/8H BR		
9	13-806009	1	DISCONNECT, 3/8M X 3/8FP		
10	14-806553	1	FILTER, DEMAND PUMP		
11	41-905049	1	PUMP, WATER BOOSTER FLOJET 2		
12	48-809423	1	KIT, PORT		
13	11-800275	1	ELBOW, ST 3/8 BR		
14	65240	1	PUMP ONLY, TM DEMAND		NOT SHOWN
15	47449	1	KIT SERVICE DEMAND PMP FJ		NOT SHOWN

AUXILIARY WATER TANK WITH PUMP

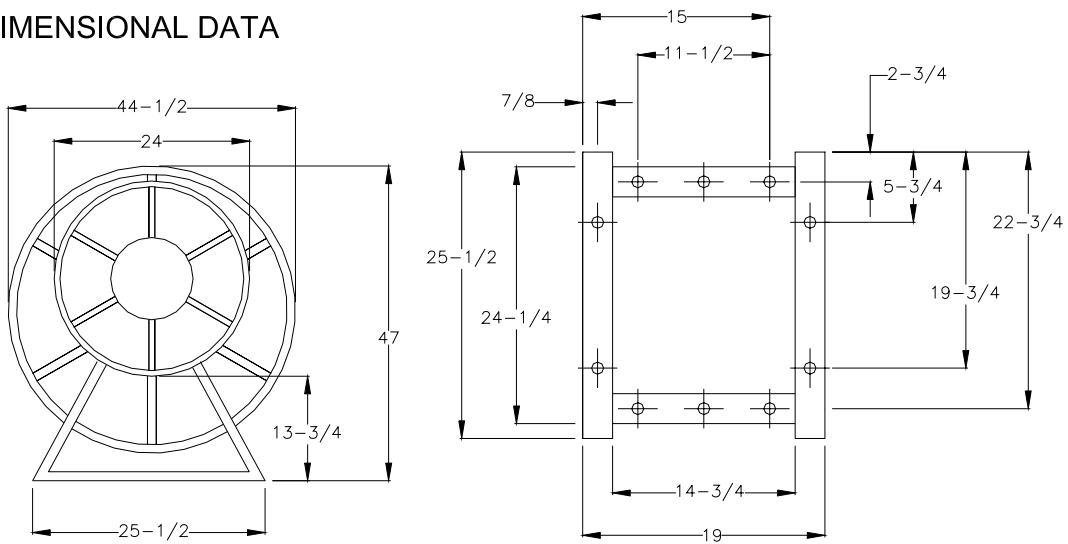


AUXILIARY WATER TANK WITH PUMP

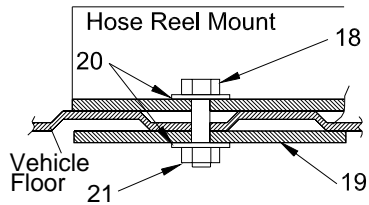
REF	PART NO.	QTY	DESCRIPTION	SERIAL NO. FROM	NOTES:
1	00-000072	4	SCR, 3/8-16 X 2" HXHD		
2	00-000337	1	SCR, 10-32 X 1" SOCHD SST		
3	02-000066	4	FLATWASHER, 1/4		
4	03-000113	7	CLAMP, HOSE #12 SST		
5	09-805265	1	HOSE, 5/8ID BLU X 24"		
6	09-805278	1	HOSE, 3/4 ID WTR X 3"		
7	09-805357	1	HOSE, 3/4 ID WTR X5.5"		
8	09-805406	1	HOSE, 5/8 ID BLU X 30 1/2		
9	11-800041	2	ELL, STREET 1/2 BR MACH		
10	11-800275	1	ELL, ST 3/8 BR		
11	11-800283	1	RED, 1/2FP X 3/8P BR		
12	11-800432	1	CAP, WATER BOX		
13	11-800524	1	NIP, 1-1/2XCL PVC (SCH80)		
14	12-800095	1	FTTG, BRB 3/4PX3/4H BR		
15	12-800269	1	FTTG, BRB 1/2 X 5/8H BR		
16	12-800345	2	FTTG, BRB 3/8P X 5/8 BR		
17	13-806008	1	DISCONNECT 3/8F X 3/8FP		
18	13-806009	1	DISCONNECT 3/8M X 3/8FP		
19	14-806553	1	FILTER, DEMAND PUMP		
20	15-808080	1	VALVE, BALL PVC 1-1/2FP		
21	16-808164	1	SEAT, FLOAT VLV TM		
22	16-808216	1	ARM, PIVOT-FH VLV		
23	16-808217	1	BDY, FLOAT VLV		
24	19-807014	1	BALL, FLOAT		
25	41-905049	1	PMP, WTR BOOSTER FLOJET 2		
26	50-500511	4	PLATE, INSTALL MT		
27	52-501706	1	NUT, FLOAT VALVE		
28	52-800314	1	PISTON, FLOAT VLV PISTON		
29	54-501715	1	FLOAT ROD, TM		
30	48-809423	1	KIT, PORT DEMAND PUMP		
31	31100	1	ELBOW, 1.5 STREET PVC MP X FP		
32	57006	2	NUT, 1/4-20 HEX		
33	57090	1	NUT, 10-32 HEX NYLOCK SS		
34	57119	4	NUT, 3/8-16 HEX NYLOCK		
35	70270	4	SCR, 1/4-20 X 3/4 HHCS PLTD		
36	87162	4	WASHER, 1/4 SPLIT LOCK PLTD		
37	87171	8	WASHER, 3/8 FLAT		
38	790617	1	TANK, FRESH WATER 70GAL		
39	790666	2	STRAP, WTR TNK HOLD DOWN		

HOSE REEL - OPTIONAL

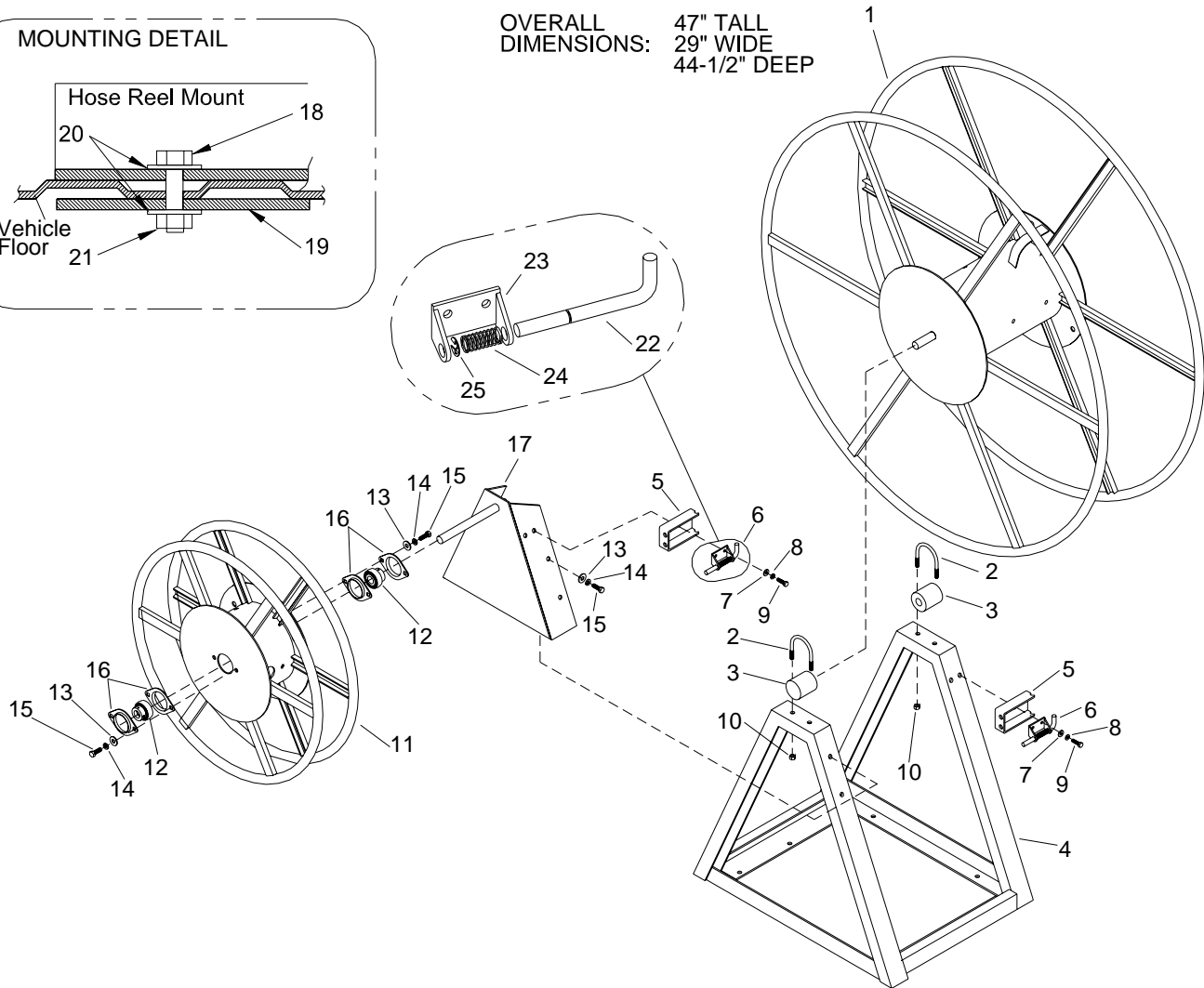
DIMENSIONAL DATA



MOUNTING DETAIL



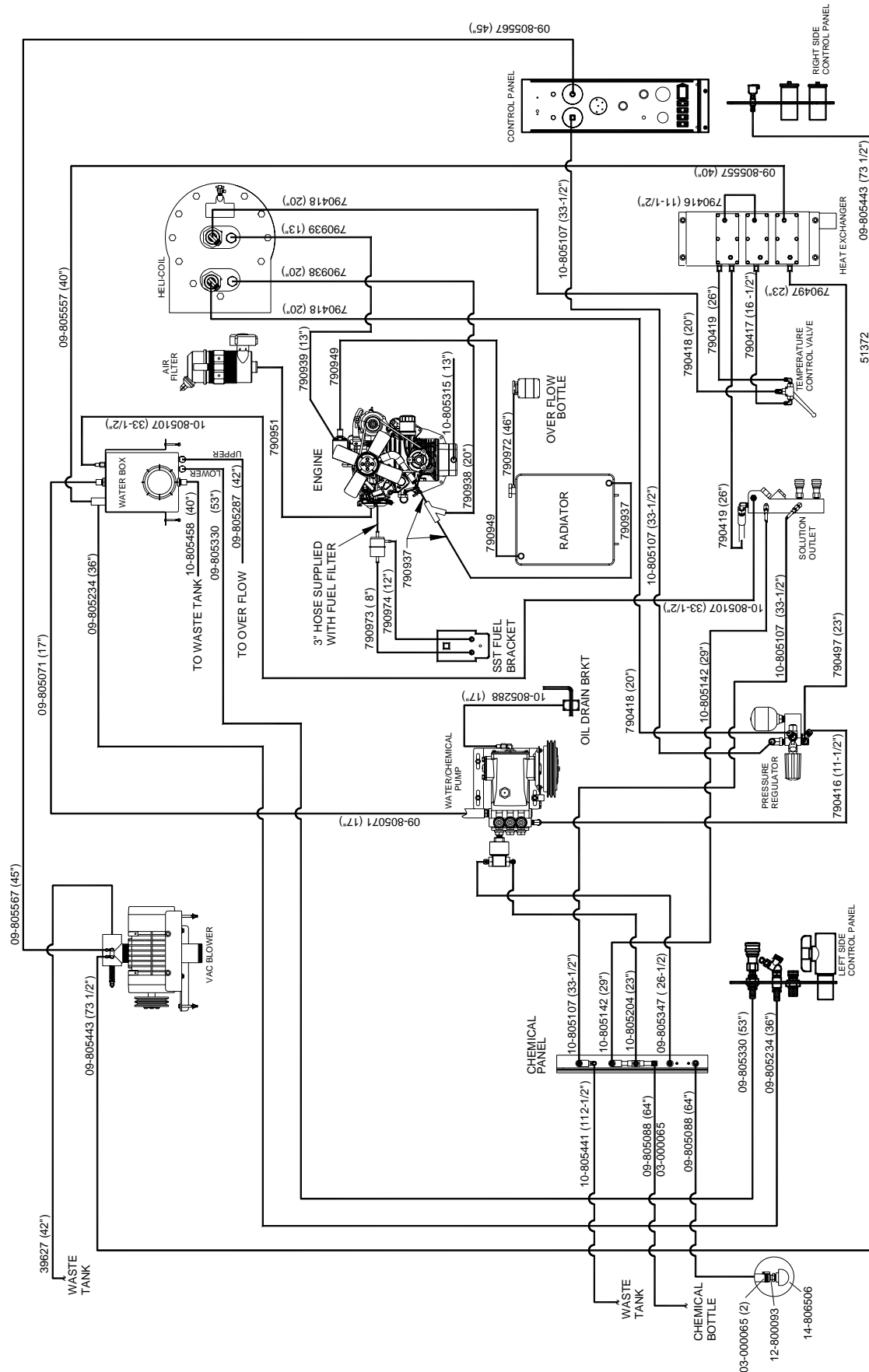
OVERALL DIMENSIONS: 47" TALL
29" WIDE
44-1/2" DEEP



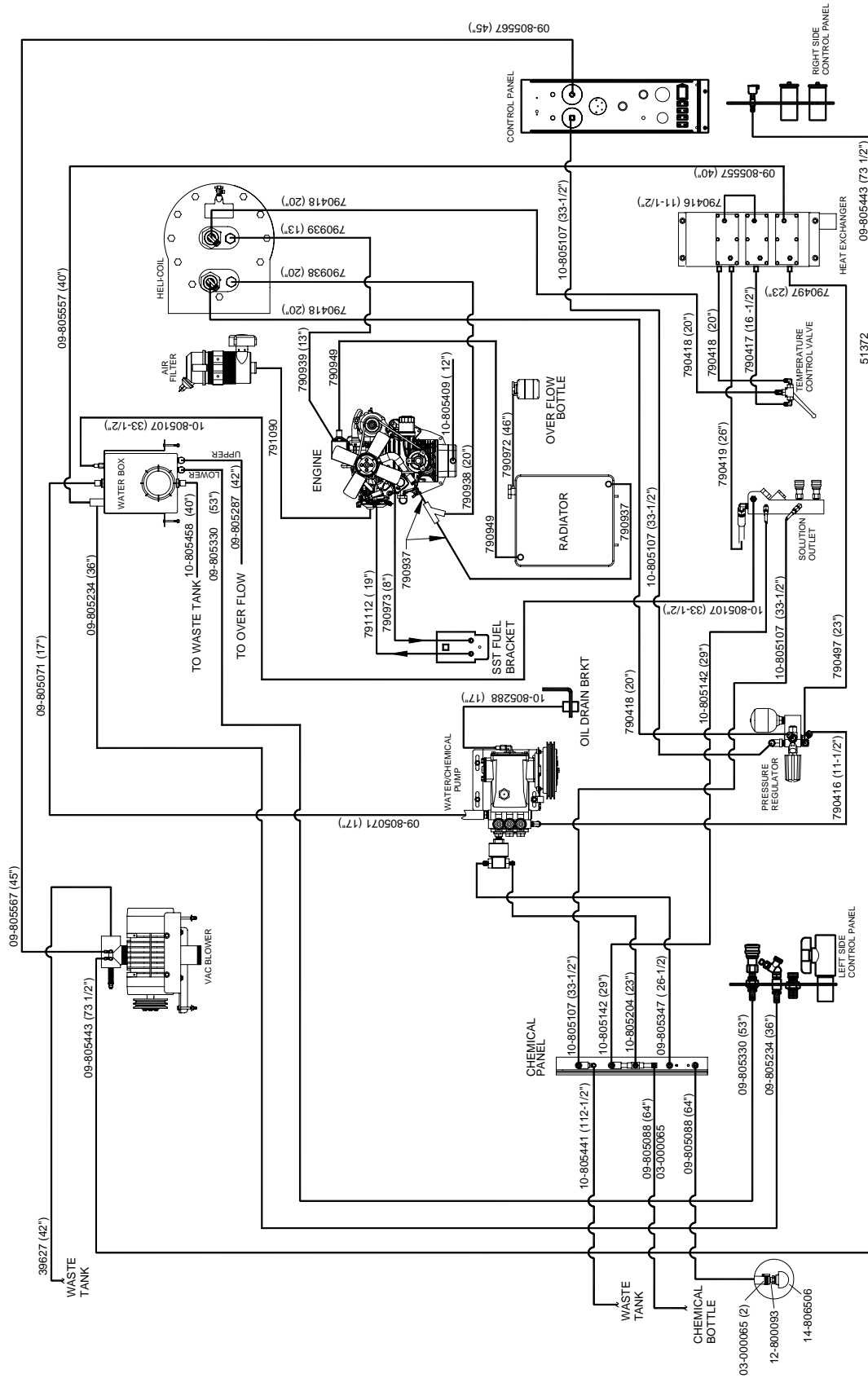
HOSE REEL-OPTIONAL

REF	PART NO.	QTY	DESCRIPTION	SERIAL NO. FROM	NOTES:
1	56-501962	1	REEL, VACUUM HOSE GRAY		
2	03-000124	2	CLAMP, MFLR 1-3/4		
3	52-501685	2	BUSHING, HOSE REEL		
4	56-501960	1	BASE, HOSE RL (250')		
5	56-502207	1	BRKT, LOCKOUT HOSE REEL		
6	61-950854	1	LATCH ASSEMBLY		
7	02-000066	2	FLATWASHER, 1/4		
8	87162	2	WASHER, 1/4 SLPIT LOCK		
9	70270	2	SCR, 1/4-20 X 3/4 HHCS PLTD		
10	57031	2	NUT, 5/16-18 HEX		
11	56-501968	1	REEL, HP HOSE GRAY		
12	45-802138	2	BEARING HOSE REEL		
13	02-000143	4	FLATWASHER, 5/16		
14	87083	4	WASHER, 5/16 SPLIT LOCK PLTD		
15	70302	4	SCR, 5/16-18 X 1" HHCSGR5PLT		
16	44-802122	4	FLANGE, 47MST		
17	56-501961	1	BODY, HP HOSE GRAY		
18	00-000072	10	SCR, 3/8-16 X 2" HXHD		
19	50-500511	1	PLATE, INSTALL MT		
20	87171	10	WASHER, 3/8 FLAT		
21	57119	10	NUT, 3/8-16 HEX NYLOCK		
22	55-501789	1	PIN, LOCK HOSE REEL		
23	50-501812	1	BRKT, HOSE REEL LOCK		
24	04-000302	1	SPRING, LOCK-LOCK PIN ASSY		
25	04-000303	1	CLIP, RETAINER-LOCK PIN ASSY		

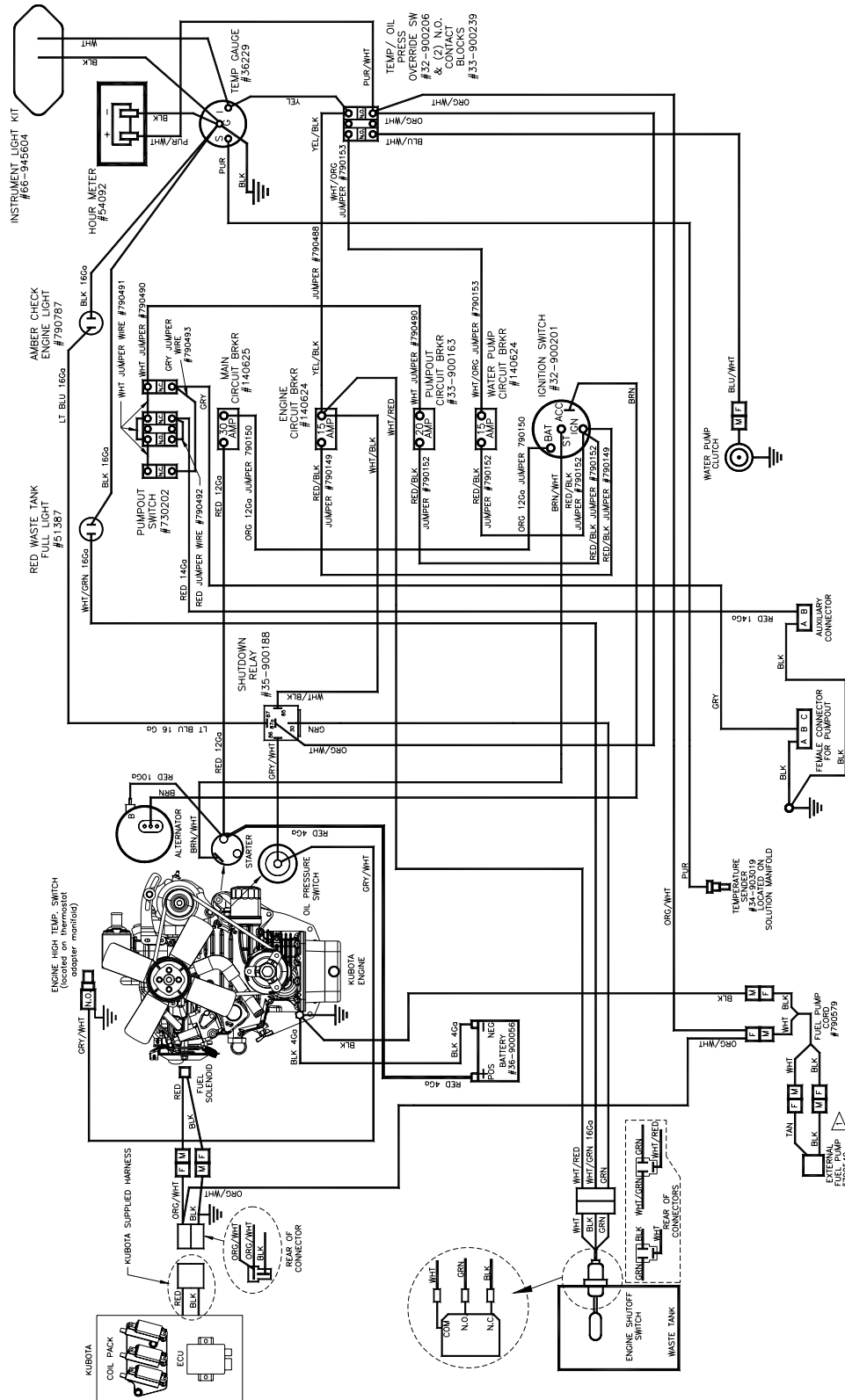
HOSE DIAGRAM - GAS



HOSE DIAGRAM - DIESEL

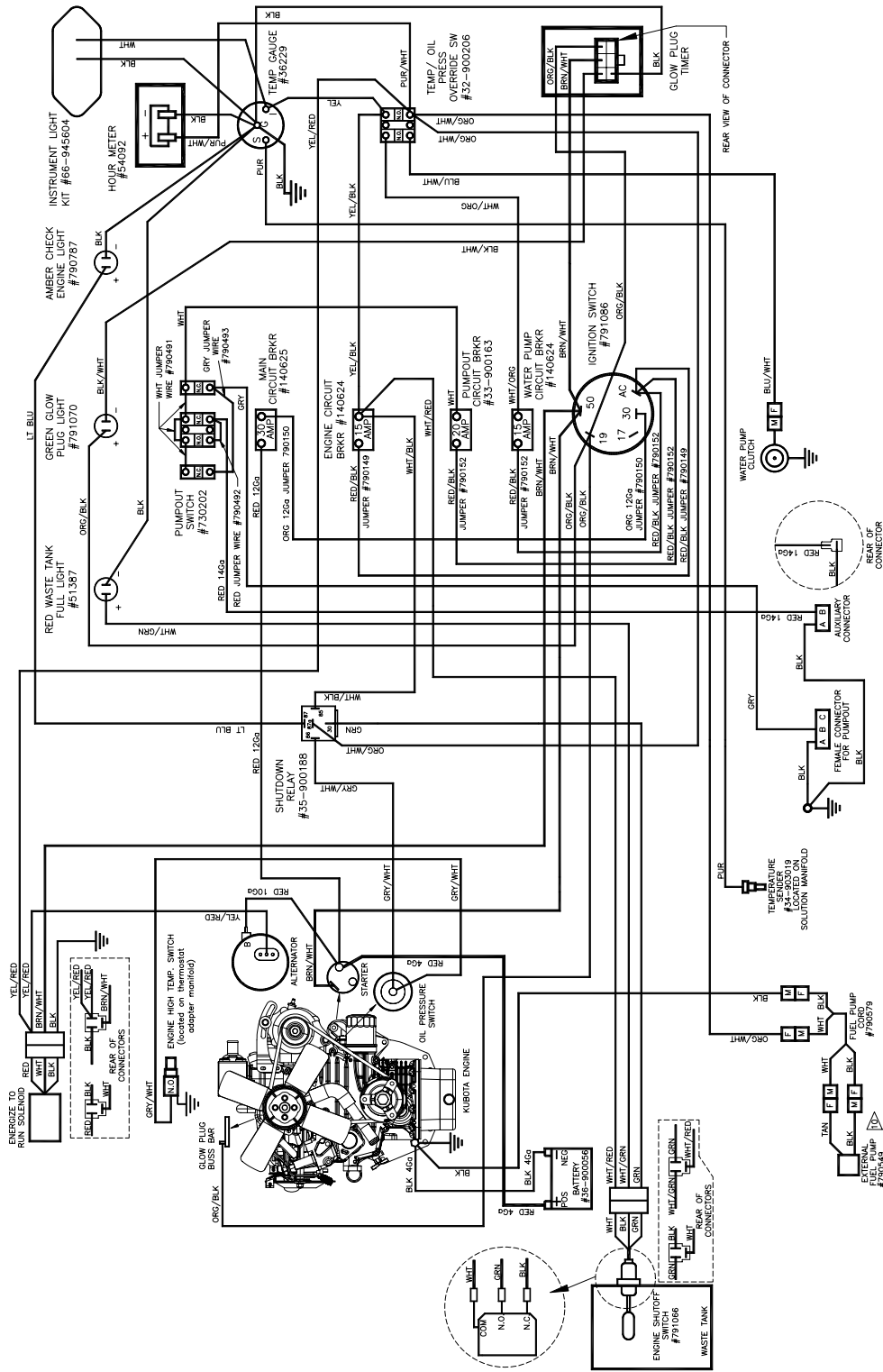


WIRING DIAGRAM - GAS



DO NOT GROUND FUEL PUMP TO MOUNTING BOX OR CHASSIS OF VAN. USE SUPPLIED FUEL PUMP CORD ONLY.

WIRING DIAGRAM - DIESEL



NOTES:



New Truck Mount Machine Warranty

Limited Warranty

PROCHEM warrants new machines against defects in material and workmanship under normal use and service to the original purchaser. Any statutory implied warranties, including any warranty of merchantability or fitness for a particular purpose, are expressly limited to the duration of this written warranty. *PROCHEM* will not be liable for any other damages, including but not limited to indirect or special consequential damages arising out of or in connection with the furnishing, performance, use or inability to use the machine. This remedy shall be the exclusive remedy of the buyer. The warranty period is subject to the conditions stated below.

Any local or distant transportation, related service labor, normal maintenance, and diagnostic calls are not included.

Parts replaced or repaired under this warranty are guaranteed for the remainder of the original warranty period or 90 days.

Component	Coverage Responsibility	Length of Warranty
Gasoline Engine	Engine Dependant: Briggs & Stratton – 1-800-233-3723 Kohler – 1-800-655-4356 Kubota-1-847-955-2500	2 year
Gasoline Engine	Engine Dependant: Nissan – 1-815-568-0061	1 year
Vacuum Pump	PROCHEM	18 months
Engine Heat Exchanger	PROCHEM	1 year
Water Pump	PROCHEM	2 years
Waste Pump	PROCHEM	1 year
Wands(except shut off valve and jets)	PROCHEM	1 year
Waste and Water Tanks	PROCHEM	1 year
Pressure Regulator	PROCHEM	1 year
All other component not excluded below	PROCHEM	1 year
Trojan Battery	Pro-rated through battery manufacturer's local dealer. 1- 800-423-6569	1 year

Product exceptions and Exclusions:

- Normal wear items and maintenance items including but not limited to disposable filters, any fluids, electrical components, belts, pulleys, bearings, fittings, hoses, o-rings, seals, gaskets, diaphragms, engine tune up components, wand shut off valve, and jets are covered, **parts only**, for 90 days.
- **NOTE:** Engine and battery warranties are administered through the manufacturer and must be repaired at an authorized service center.



New Truck Mount Machine Warranty

This Warranty Shall Not Apply To:

1. Any product that has been subject to abuse, misuse, neglect or unauthorized alteration (including the use of incompatible or corrosive chemicals or overloading of capacity).
2. Products that have experienced shipping or freight damage.
3. Repairs necessary to correct any failure due to improper pre-delivery service and inspection by the selling dealer.
4. Time for cleaning units in preparation for repair.
5. Any repairs resulting from poor initial service work or improper diagnosis.
6. Any design alterations performed by an organization not authorized or specified by PROCHEM.
7. A unit which is improperly repaired.
8. Damage due to hard water scaling.
9. Exposure to freezing temperature conditions.
10. Electrical components exposed to moisture.

The warranty commences on the purchase date by the original end user from an authorized *PROCHEM* agent, subject to proof of purchase. **The warranty is non transferable and is intended for the original purchaser only.** The Machine Registration Card must be completed and returned within 10 days of the purchase. If proof of purchase cannot be identified, the warranty start date is 90 days after the date of sale to an authorized *PROCHEM* distributor.

If difficulty develops during the warranty period, contact the authorized *PROCHEM* agent from whom the product was purchased. *PROCHEM* may elect to require the return of components to validate a claim. Any defective part to be returned must be shipped **freight prepaid** to an authorized *PROCHEM* Distributor/Service Center or to the *PROCHEM* factory.

Use Of Parts Not Approved By *PROCHEM* Will Void All Warranties.